



Telycam

Telecam Technology Co.,Ltd

Addr.:6F, Building A, Shuanghuan Information Technology Industrial Park, No.8, Baoqing Rd, Longgang District,Shenzhen,518116,China

Tel: +86-755-33275155

[Http://www.telycam.com](http://www.telycam.com) www.telecamtech.com

TLC-700-UH 4K PTZ Video Camera

Telycam TLC-700-UH is a professional grade 4K Ultra HD video camera, support IP, HDMI, SDI and USB3.0 simultaneously output ; with 35x optical zoom, ideal for broadcast level AV solution, high end video conferencing and video surveillance application.



Advantages

- Adopts most advanced DSP, 1/1.7 inch 12MP sensor;
- 4K wide angle optical lens: 35x optical zoom , 60 degree field of view;
- 4K video over IP, and support H.264, H.265 encoding;
- Support POE: easy to use one RJ45 cable to get video, control and power supply;
- IP, HDMI, SDI, USB outputs, fit for different application;
- Special Focusing Algorithm: fast and precise focusing performance when zooming or moving;
- Standard Sony Visca, Pelco-P, Pelco-D control protocol.;
- Supplied with functional IR remote controller, can set IP address via OSD menu;

Features

- IP, HDMI, SDI and USB outputs simultaneously;
- 35x Optical Zoom + 2x Digital Zoom;
- 3840x2160 p30 Ultra HD video resolution;
- Automatic access to the IP address;
- Smooth PTZ mechanical design, accurate pan tilt motor control;
- WDR, 3D Noise Reduction feature;
- 128 presets;
- Support RS232/485 serial control;
- Image flip function, support upside-down installation;
- Sony Visca and Pelco P/D protocol;
- Support daisy chain feature;



Telycam

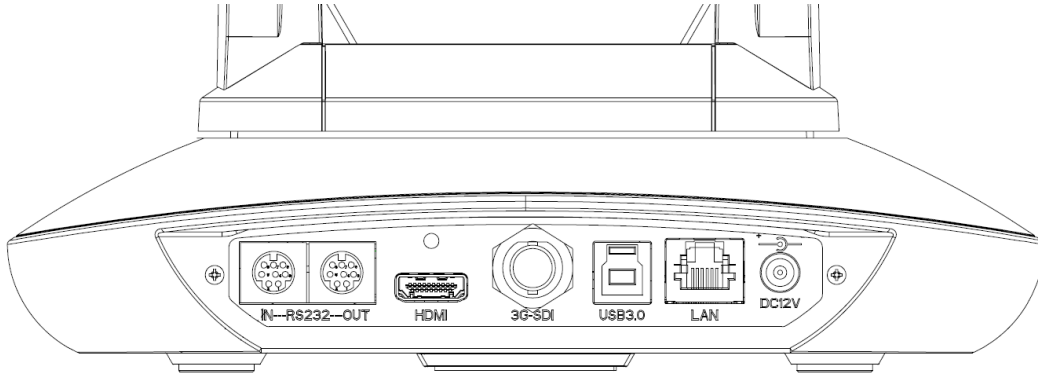
Telecam Technology Co.,Ltd

Addr.:6F, Building A, Shuanghuan Information Technology Industrial Park, No.8, Baoqing Rd, Longgang District,Shenzhen,518116,China

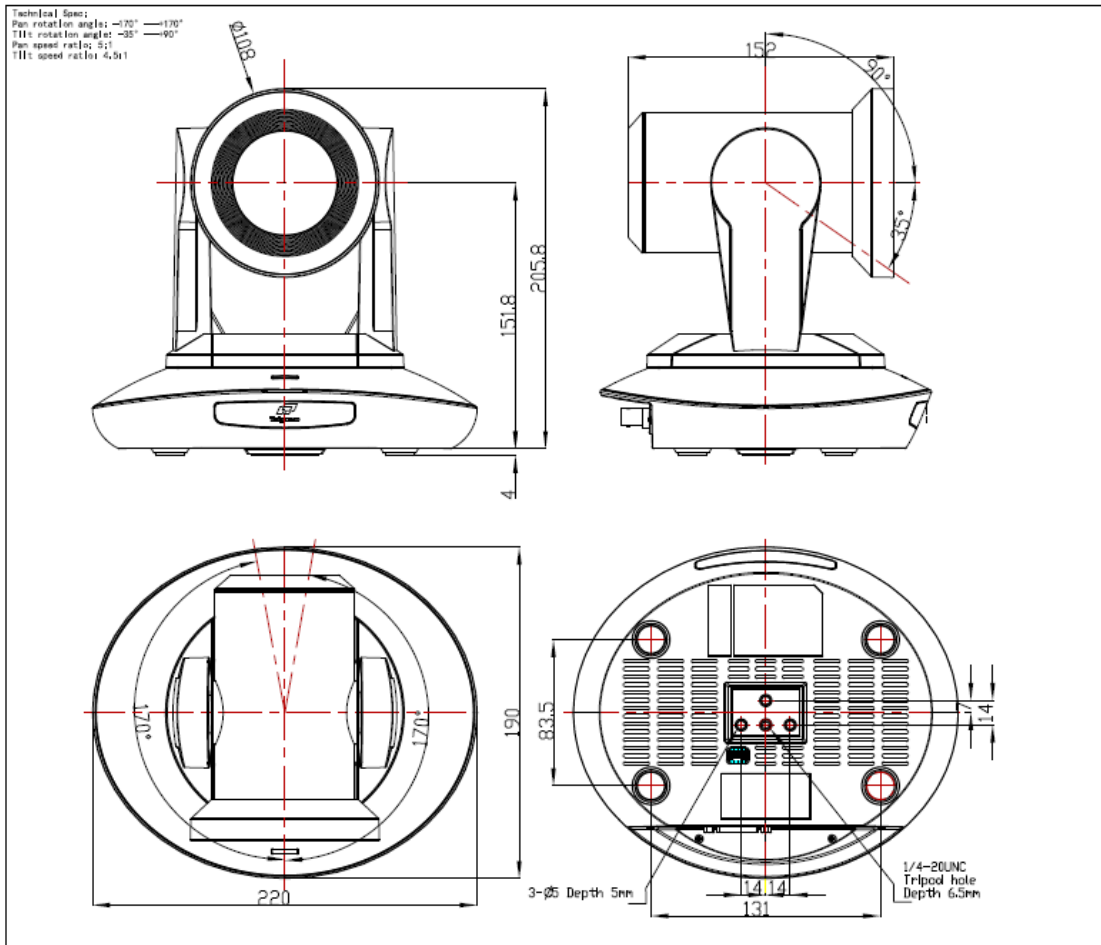
Tel: +86-755-33275155

[Http://www.telycam.com](http://www.telycam.com) www.telecamtech.com

Output Interface



Dimensional Drawing (mm)



**Telycam**

Telecam Technology Co.,Ltd

Add.:6F, Building A, Shuanghuan Information Technology Industrial Park, No.8, Baoqing Rd, Longgang District, Shenzhen, 518116, China

Tel: +86-755-33275155

[Http://www.telycam.com](http://www.telycam.com) www.telecamtech.com**Technical Spec**

Model	TLC-700-UH			
Sensor	1/1.7 inch, 12mega pixel high quality CMOS sensor			
Video Format	HDMI	IP	SDI	USB3.0
	3840x2160p30/25, 1080p60/50/30/25, 720p60/50/30/25, 1080i60/50	Main stream: 3840x2160p30, 1920x1080p60, Sub stream: 1280x720,704x576 640x480,352x288	1080p60/50/30/25; 720p60/50/30/25 1080i60/50	1080p60/50/30/25 720p60/50/30/25 USB3.0&USB2.0
				1024x576p30 960x540p30 640x360p30 352x288p30
Zoom	35x optical zoom & 2x digital zoom			
FOV	2.02°(near)~60°(far)			
F.no.	Wide: 1.5		Tele: 4.8	
Min. Focus Distance	Wide: 0.3m		Tele: 1.5m	
Preset	10 via remote controller; 128 via serial port; preset precision:0.1°			
Rotation Angle	Pan: -170° ~ +170°; Tilt: -30° ~ +90°			
Rotation Speed	Pan: 0°~120°/s ;		Tilt: 0°~80°/s	
Control Port	RS232 / RS485/RJ45			
Video Port	HDMI/ RJ45/SDI/USB3.0/USB2.0			
Network Speed	1000M			
Noise Reduction	2D&3D			
SNR	>50dB			
Focal Length	f= 5.8(near)~203mm(far)			
Minimum Lux	0.01 lux			
White Balance	Auto / Manual/Auto Tracking/OnePush/Indoor/Outdoor/			
Anti Flicker	50Hz/60Hz/OFF			
D/N Mode	Supported			
Gamma	Supported			
Mirror Image	Supported			
PanTilt Flip	Supported			
Iris	Auto / Manual/			
Electric Shutter	Auto / Manual/			
BLC	Auto / Manual/			
Focus	Auto / Manual/			
Video Encoding	H.264/H.265			
Bit Rate Control	Variable Bit Rate, Constant Bit Rate			
Video Bit Rate	1024Kbps~30720Kbps			
Frames	50HZ:1fps~50fps 60HZ:1fps~60fps (3840x2160 max. 30fps)			
IP Protocol	TCP/IP, HTTP, RTSP, RTMP, Onvif, DHCP			
POE	Supported			
Input Voltage	DC12V, 2A			



Telycam

Telecam Technology Co.,Ltd

Address: 6F, Building A, Shuanghuan Information Technology Industrial Park, No.8, Baoqing Rd, Longgang District, Shenzhen, 518116, China

Tel: +86-755-33275155

[Http://www.telycam.com](http://www.telycam.com) www.telecamtech.com

Dimension	220mm×173mm×190mm
Net Weight	1.25KGS (2.8LBS)

Note: IP and HDMI port can't output 4K at the same time: when HDMI port output 4K, then IP port can output max.1080p60;

while IP port output 4K, then the HDMI port can output max.1080p60.