



## Telecam Technology Co.,Ltd

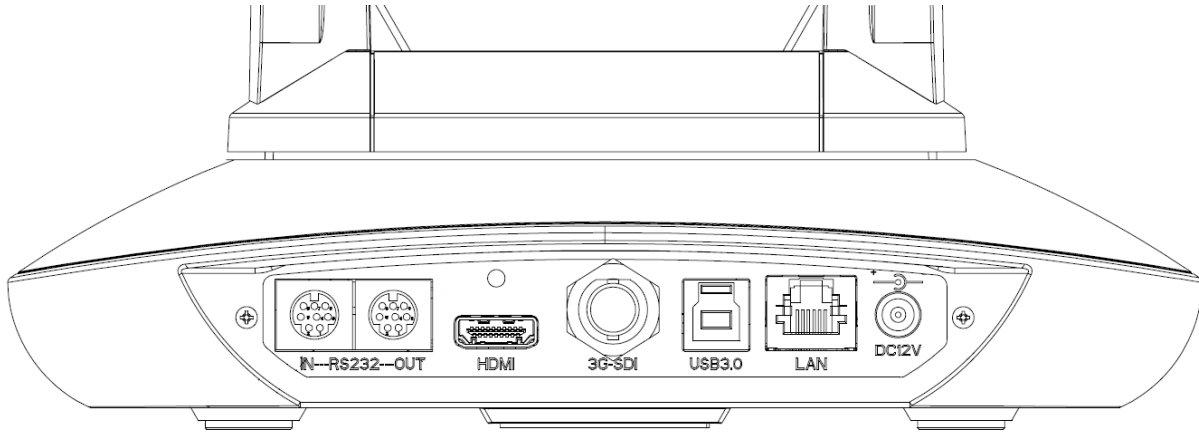
### TLC-700-H 35X 4K PTZ Video Camera



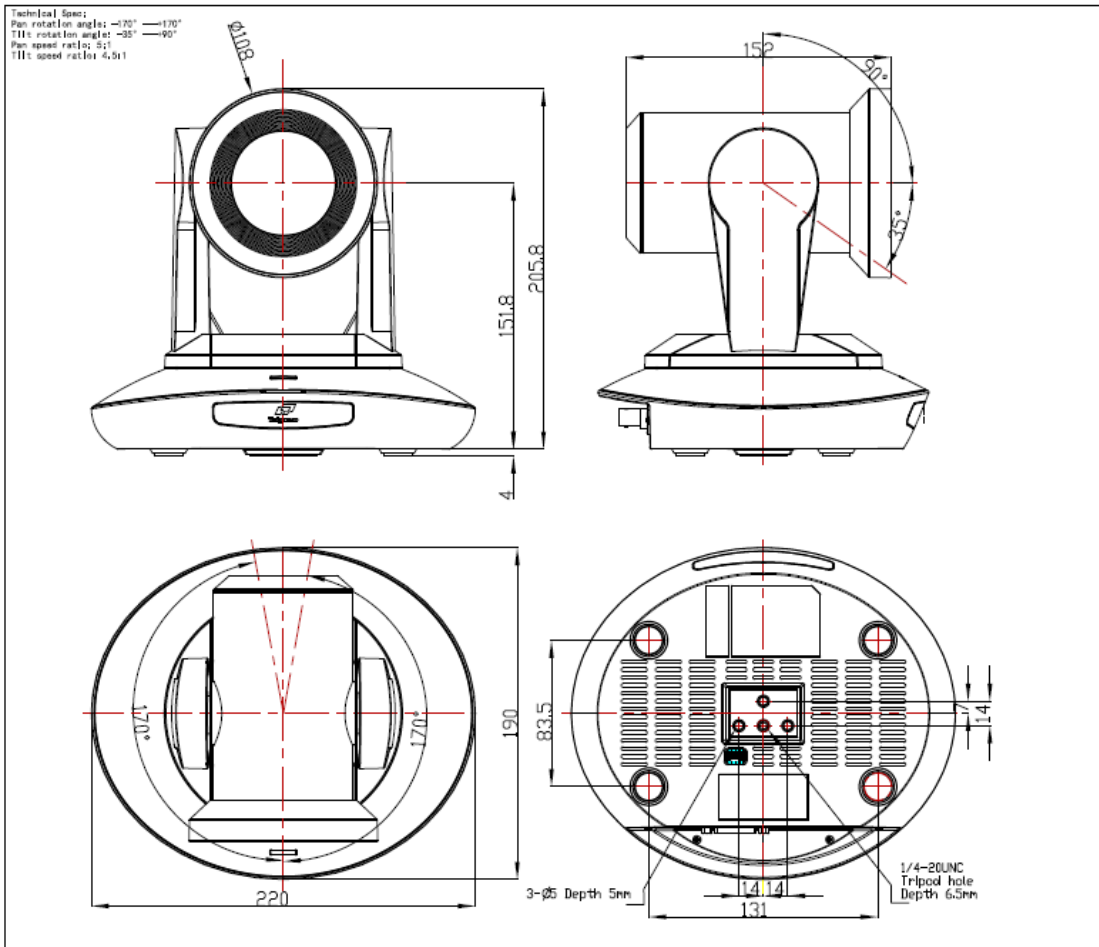
Telycam TLC-700-H is a professional grade 4K Ultra HD video camera, support IP, HDMI, SDI and USB3.0 simultaneously output ; with 35x optical zoom, ideal for broadcast level AV solution, high end video conferencing and video surveillance application.

#### Features:

- Adopts most advanced ISP, 1/1.7 inch 12MP sensor, providing 3840x2160 p30 Ultra HD video resolution
- 4K wide angle optical lens: 35x optical zoom, with 60 degree field of view;
- 4K video over IP, H.264, H.265 encoding;
- IP, HDMI, 3G-SDI, USB outputs, fit for different application, 4K video streaming over IP and HDMI optional.
- White Balance, Exposure, Focus, Iris can be adjusted automatically or manually.
- Support POE: one single CAT5/6 to get video, control and power supply;
- Special Focusing Algorithm: fast and precise focusing performance when zooming or moving,
- Smooth PTZ mechanical design, accurate pan tilt motor control;
- 128 presets supported;
- Standard Sony Visca, IP Visca, Pelco-P, Pelco-D control protocol; IP Visca over both TCP and UDP.
- Daisy chain supported.
- Image flip function, support upside-down installation;
- Supplied with functional IR remote controller, can set IP address via OSD menu;



**Dimensional Drawing ( mm )**





# Telecam Technology Co.,Ltd

## Technical Spec

Sensor	1/1.7 inch, 12mega pixel high quality CMOS sensor			
Video Format	HDMI	IP	SDI	USB3.0
	3840x2160p30/25, 1080p60/50/30/25, 720p60/50/30/25, 1080i60/50	Main stream: 3840x2160p30, 1920x1080p60, Sub stream: 1280x720,704x576 640x480,352x288	1080p60/50/30/25; 720p60/50/30/25 1080i60/50	1080p60/50/30/25
				720p60/50/30/25
				USB3.0&USB2.0
1024x576p30 960x540p30 640x360p30 352x288p30				
Zoom	35x optical zoom			
FOV	2.02°(near)~60°(far)			
F.no.	Wide: 1.5		Tele: 4.8	
Min. Focus Distance	Wide: 0.3m		Tele: 1.5m	
Preset	10 via remote controller; 128 via serial port; preset precision:0.1°			
Rotation Angle	Pan: -170° ~ +170°;		Tilt: -30° ~ +90°	
Rotation Speed	Pan: 0°~120°/s ;		Tilt: 0°~80°/s	
Control Port	RS232 / RS485/RJ45			
Video Port	HDMI/ RJ45/SDI/USB3.0/USB2.0			
Network Speed	1000M			
Noise Reduction	2D&3D			
SNR	>50dB			
Focal Length	f=5.8(near)~203mm(far)			
Minimum Lux	0.01 lux			
White Balance	Auto / Manual/Auto Tracking/OnePush/Indoor/Outdoor/			
Anti Flicker	50Hz/60Hz/OFF			
D/N Mode	Supported			
Gamma	Supported			
Mirror Image	Supported			
PanTilt Flip	Supported			
Iris	Auto / Manual			
Electric Shutter	Auto / Manual			
BLC	Auto / Manual			
Focus	Auto / Manual			
Video Encoding	H.264/H.265			
Bit Rate Control	Variable Bit Rate, Constant Bit Rate			
Video Bit Rate	1024Kbps~30720Kbps			
Frames	50HZ:1fps~50fps 60HZ:1fps~60fps (3840x2160 max. 30fps)			
IP Protocol	TCP/IP, HTTP, RTSP, RTMP, Onvif, DHCP			
POE	Supported			
Input Voltage	DC12V, 2A			



## Telecam Technology Co.,Ltd

Dimension	220mm×173mm×190mm
Net Weight	1.25KGS (2.8LBS)

**Note: 1)When IP and HDMI output 4K video simultaneously, the other two ports SDI and USB has no video output**

**2)When IP and HDMI port do not output 4K at the same time;**

**when HDMI port output 4K, IP can output max. 1080p30, USB and SDI port no video output;**

**When IP port output 4K, then other 3 ports can output max.1080p;**