

TLC-700-S-R 3G-SDI&DVI-I(HDMI) FHD PTZ Video Camera

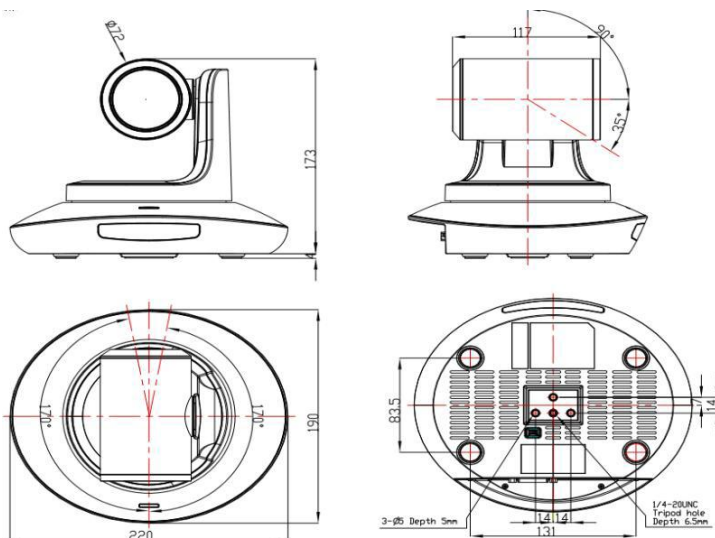


Telycam TLC-700-S-R is a broadcast level 30x zoom 3G-SDI&HDMI full HD PTZ video camera, very sensitive to low lux, particularly used for large space A/V system, such as auditorium, parliament, house of worship, court room, legislative space and broadcast video production ect.

Features:

- Adopt advanced broadcast level ISP, Sony 1/1.8" 2.3MP sensor, to provide crystal clear, noiseless and realistic color with full details even at low lux condition.
- Broadcast level video streaming 1080p59.94/50, 1080i59.94/50 via 3G-SDI and DVI-I(HDMI)synchronously.
- 30x wide range optical zoom, with 60 degree FOV.
- Smart and compact mechanism, smooth and silent PTZ movement.
- RS232, RS485 control and field firmware update.
- Precise and fast focus, support 128 presets.
- 7 cameras daisy chain supported
- Available to install on desk, monitor, tripod or up-side down in-ceiling.
- Multi language available: Chinese, English, Spanish, Russian

Dimensional Drawing (mm)





Telycam Telecam Technology Co.,Ltd

Technical specification

Camera		
Sensor	Sony 1/1.8" high quality, 2.3MP CMOS Sensor	
Frame Rate	3G-SDI	DVI-I(HDMI)
	1080p59.94/50; 1080p29.97/25 1080i59.94/50; 720p59.94/50 720p29.97/25	1080p59.94/50; 1080p29.97/25 1080i59.94/50; 720p59.94/50 720p29.97/25
Video Format	YUV	
Zoom	30x optical zoom + 12x digital zoom	
Focal Length	f=4.5mm(wide)~134.5mm(tele)	
View Angle	3.° (wide) ~60° (tele)	
SNR	>75dB	
Noise Reduction	2D/3D	
Minimum Lux	0.005lux	
White Balance	Auto / Manual	
Focus	Auto / Manual	
Iris	Auto / Manual	
Electronic Shutter	Auto / Manual	
BLC	Auto / Manual	
Mechanism		
Pan Rotation Angle	-170° ~ +170°	
Tilt Rotation Angle	-35° ~ +90°	
Pan Rotation Speed	0°~120°/s	
Tilt Rotation Speed	0°~80°/s	
Preset	128 presets via RS232, 10 presets via remote controller	
Control	RS232/RS485/Remote Controller	
Video Port:	3G-SDI, DVI-I(HDMI)	
Input Voltage	DC12V	
Camera Dimension	220mm×173mm×117mm	
Package Dimension	32x30x31cm	
Package Content	Camera, Remote Controller, RS232 cable, Power Supply	