



Telycam Product Family

USB Serie: Meet+ Series
Entry-level PTZ: Drive+ Series
ProAV PTZ: Vision+ Series
Broadcast-level: Explore Series
Joystick Keyboard: V-Joy+



Telecam Technology Co.,Ltd

Phone number: +86 755 33275155 E-mail: sales@telycam.com

Add: 6 Floor, Building A, Shuanghuan Information Technology Industrial Park, No.8, Baoqing Rd, Longgang District, Shenzhen, 518116, China

| Every Angle Every Detail 



EXPLORE SE

ADVANCED 4K60P PTZ CAMERA FOR IMMERSIVE BROADCAST VR VIDEO PRODUCTION



30x | 4K60 | Auto-tracking | Free-D | Genlock
SFP+/12G-SDI/HDMI/NDI®/NDI®|HX/XLR

Broadcast Level PTZ Camera Disrupts AV Industry

The Explore SE is a versatile broadcast-level PTZ camera equipped with a Sony 1/1.8-inch 9MP CMOS sensor and cutting-edge image processor. It delivers ultra-high-definition images with true-to-life colors and lightning-fast focus capabilities.

The Explore SE offers 4K60p resolution output via NDI®, NDI®|HX, 12G-SDI, HDMI, and SFP+ connections. With Genlock functionality, the Explore SE can serve as the primary camera, ensuring seamless video synchronization with other sub-cameras in broadcast video production and live streaming systems.

Explore SE supports native AI-based auto-tracking and FreeD technology, enabling flexible operation in a wide range of scenarios, both in the real and virtual worlds.



Key features

◆ High-Performance Sensor and Image Processor

The Explore SE boasts a Sony 1/1.8-inch 9MP CMOS sensor and a state-of-the-art image processor, to deliver stunning ultra-high-definition images that capture realistic colors and maintain rapid focus. This feature ensures that your audience experiences content with the highest level of realism.

◆ Versatile Output Options

This Explore SE offers diverse output options, including 4K60p resolution through NDI®, NDI®|HX, 12G-SDI, HDMI, and SFP+ connections. Users can choose the output method that best suits their production needs, ensuring flexibility and compatibility.

◆ Genlock Functionality

The Explore SE features Genlock, a valuable synchronization feature, which makes it to function as a primary camera, ensuring precise video synchronization with other sub-cameras in complex broadcast video production and live streaming setups.

◆ Robust Audio Capabilities

The Explore SE features with a 3.5mm line-in input and a Mini XLR audio input. Moreover, the XLR input supports phantom power, providing compatibility with a wide range of microphones and audio equipment.

◆ Native AI-Based Auto-Tracking

The Explore SE incorporates native AI-based auto-tracking technology, this intelligent feature automatically follows subjects, enhancing ease of use and ensuring that important moments are captured flawlessly.

◆ FreeD Technology Integration

The Explore SE seamlessly integrates FreeD technology, empowering users to explore dynamic shooting angles and perspectives, making it ideal for versatile real-world and virtual-world applications.

◆ MicroSD Card Slots

MicroSD card slots—one dedicated to firmware upgrades and the other for local recording. With the MicroSD Card Slots, easily record directly onto the camera for instant backup during network issues or for quick access. Retrieving footage from a MicroSD card is faster and more convenient than remote server access, ideal for prompt event review.

Specification

Camera	Explore SE
Part NO.	TLC-900-IP-30-4K(NDI)-AB
Sensor	1/1.8 inch, 9MP UHD CMOS sensor
Zoom	30X optical zoom
Lens	f = 6.91 ~ 214.64mm, F1.35 ~ F4.6
Horizontal View Angle	60° (Wide) ~ 2° (Tele)
Vertical Viewing Angle	34.14° ~ 1.12°
Diagonal Viewing Angle	67.08° ~ 2.27°
Minimum Working Distance	Wide: 1.5m; Tele: 1.5m
S/N Ratio	≥50dB
Video Format	12G-SDI: 3840*2160P60/50/30/25/29.97/24/23.98; 1920*1080P60/50/30/25/59.94/29.97/24/23.98; 1920*1080I60/50/59.94; 1280*720P60/50/30/25/59.94/29.97
	3G-SDI: 1920*1080P60/59.94/50/30/29.97/25/24/23.98; 1920*1080I60/59.94/50; 1280*720P60/59.94/50/30/29.97/25
	HDMI2.0: 3840*2160P60/50/30/25/29.97/24/23.98; 1920*1080P60/50/30/25/59.94/29.97/24/23.98; 1920*1080I60/50/59.94; 1280*720P60/50/30/25/59.94/29.97
	NDI®/ NDI® HX: Main Stream: 3840*2160P15~60; 1920*1080P15~60; 1280*720P15~60; 1024*576P15~60; Sub Stream :640*360P15~30
	SFP+: 3840*2160P60/50/30/25/29.97/24/23.98; 1920*1080P60/50/30/25/59.94/29.97/24/23.98; 1920*1080I60/50/59.94; 1280*720P60/50/30/25/59.94/29.97
	USB Type-C: NV12: 1920*1080P5; 1280*720P15; 1024*576P25; 800*448P30 YUYV: 1920*1080P5; 1280*720P15; 1024*576P25; 800*448P30 MJPG: 3840*2160P30; 1920*1080P60; 1280*720P60; 1024*576P60; 800*448P60 H264/H265: 3840*2160P30; 1920*1080P60; 1280*720P60; 1024*576P60; 800*448P60
Image Parameters	
Noise Reduction	2D&3D
Minimum lux	0.5Lux (50 IRE Max AGC, 1/30, F1.8)
White Balance	Auto/Manual/Auto tracking/Push/Indoor/Outdoor/Color Temperature
Exposure	Auto/Manual/Shutter Priority/Iris Priority/Brightness Priority
Anti-Flicker	OFF, 50Hz, 60Hz
Image Flip/Mirroring	Support
Focus/Iris/Electronic shutter	Auto/Manual
Gamma	Support
Backlight Compensation	Support

IP Streaming	
Video Encoding	H.264/H.265
Bitrate Control	Variable bitrate(VBR), Constant bitrate(CBR)
Bitrate Range	1024Kbps~ 61440Kbps
Network Port Speed	1000M
Protocol	NDI®, NDI® HX, SRT, HTTP, RTSP, RTMP, ONVIF, VISCA over IP(TCP&UDP), VISCA, PELCO P/D
Pan/Tilt Movement	
Preset	Remote controller: 10; Serial port: 256; Accuracy: 0.1°
Pan Rotation Angle	-170°~+170°
Tilt Rotation Angle	-90°~+90°
Pan Rotation Speed	0.1°~80°/s
Tilt Rotation Speed	0.1°~60°/s
I/O Interface	
Control Port	RS232, RS485, RS422, RJ45, USB, NDI® HX
Video Port	NDI®, NDI® HX, HDMI2.0, 12G-SDI, 3G-SDI, USB Type-C
Audio Port	XLR-type 3-pin (with phantom power), stereo 3.5mm line in
Tally	Support
POE++	Support
Daisy Chain	Support
General	
Input Voltage	DC12V, POE++(IEEE802.3bt)
Operating Temperature	-10°C~50°C
Operating Humidity	≤80%
Color	Black/White
Dimension (LxWxH)	232.5mm×264mm×269mm
Net Weight	4.6KG(10.15LBS)



Telecam Technology Co.,Ltd

Phone number: +86 755 33275155 E-mail: sales@telycam.com

Add: 6 Floor, Building A, Shuanghuan Information Technology Industrial Park, No.8, Baoqing Rd, Longgang District, Shenzhen, 518116, China



VISION+ 4KN

4K60 NDI® | HX AUTO TRACKING LIVE STREAMING PTZ VIDEO CAMERA



NDI® | HX | 12x/20x/30x | 4K60 | Auto-tracking

Deliver High-End Features for Live Broadcasting

Vision+ 4KN is a new series PTZ camera from Telycam, built-in native auto-tracking feature, integrated with the latest NDI®SDK, and equipped with American most advanced image processing solution to output 4K60 sharp image.

It has smooth PTZ mechanical design, to make accurate pan, tilt, and zoom movement.

NDI®|HX, HDMI2.0, SDI and USB2.0 simultaneously output 4K UHD and Full HD resolution, ideal for professional live streaming applications.

Line in audio input, the audio can output with video simultaneously from NDI®|HX, HDMI2.0, SDI.

With 12x, 20x and 30x optical zoom available, the Vision+ 4KN can fit seamlessly into any production scenario.

Application



Key features

◆ 4K UHD resolution

Equipped with the cutting-edge image processing solution to output an ultra-high-definition video resolution of 4Kp60/59.94 to display clear, sharp, and lifelike images to the users, even in low-light working environments.

◆ Built-in auto tracking function

With built-in auto-tracking function, you don't need any third-party software or device, just turn on with one click on the WebUI, matching remote control or Telycam's control keyboard, and you can track the target accurately and smoothly without any outside interference. You can also switch the target talent, or set the target area, or change the target size.

◆ FREE D

Build-in FreeD protocol to exchange Telycam PTZ cameras' PTZF data with your VR/AR systems.

◆ 12x/20x/30x optical zoom

The Vision+ 4KN is available in 12x, 20x and 30x optical zoom, embedded with a 80.5° FOV, 61° FOV and 60.5° FOV lens respectively. Moreover, its proprietary focusing algorithm enables fast and precise focus performance when zooming or moving, capturing every detail of the scene.

◆ NDI®|HX /3G-SDI/HDMI2.0/USB2.0 Available

With full video output interface, NDI®|HX and HDMI2.0 output max up to 4Kp60/59.94 resolution simultaneously, 3G-SDI (Level A and B) outputs 1080p60/59.94, while the USB-C output supports up to 4K30 at the same time.

Specification

Camera	Vision+ 4KN 12x	Vision+ 4KN 20x	Vision+ 4KN 30x
Part Number	TLC-300-IP-12-4K(NDI)-AB	TLC-700-IP-20-4K(NDI)-AB	TLC-700-IP-30-4K(NDI)-AB
Sensor	1/2.8 inch, 8.4MP UHD CMOS Sensor	1/1.8 inch, 9MP UHD CMOS Sensor	1/1.8 inch, 9MP UHD CMOS Sensor
Zoom	12X optical zoom	20X optical zoom	30X optical zoom
Lens	f= 3.4mm ~ 40.3 mm, F1.8 ~ F3.6	f= 6.25mm ~ 112.5mm, F1.58 ~ F3.95	f= 6.91~214.64mm, F1.35 ~ F4.6
Horizontal View Angle	80.5°(Wide)~ 7.6°(Tele)	61°(Wide) ~ 3.5°(Tele)	63°(Wide) ~ 2.1°(Tele)
Vertical Viewing Angle	50.0°~ 4.4°	34.1°~ 1.9°	34.14°~ 1.12°
Diagonal Viewing Angle	88.9°~ 8.7°	60.7°~ 3.5°	67.08°~ 2.27°
Minimum Working Distance	1.0m	1.0m	1.5m
S/N Ratio	≥50dB		
Video Format	HDMI2.0: 3840*2160P60/59.94/50/30/29.97/25 1920*1080P60/59.94/50/30/29.97/25/24/23.98; 1920*1080I60/59.94/50; 1280*720P60/59.94/50/30/29.97/25		
	NDI® HX: Main Stream: 3840*2160P15~60; 1920*1080P15~60; 1280*720P15~60; 1024*576P15~60; Sub Stream :640*360P15~30		
	3G-SDI: 1920*1080P60/59.94/50/30/29.97/25/24/23.98; 1920*1080I60/59.94/50; 1280*720P60/59.94/50/30/29.97/25		
	USB Type-C: NV12: 1920*1080P5;1280*720P15;1024*576P25;800*448P30; YUYV: 1920*1080P5;1280*720P15;1024*576P25;800*448P30; MJPG: 3840*2160P30;1920*1080P60;1280*720P60;1024*576P60;800*448P60; H264/H265:3840*2160P30;1920*1080P60;1280*720P60;1024*576P60;800*448P60		
Image Parameters			
Noise Reduction	2D&3D		
Minimum lux	12x:0.5Lux (50 IRE Max AGC,1/30,F1.8)	20x:0.5Lux (50 IRE Max AGC,1/30,F1.8)	30x:0.5Lux (50 IRE Max AGC,1/30,F1.8)
White Balance	Auto/Manual/Auto tracking/Push/Indoor/Outdoor/Color Temperature		
Exposure	Auto/Manual/Shutter Priority/Iris Priority/Brightness Priority		
Anti-Flicker	OFF, 50Hz, 60Hz		
Image Flip	Support		
Mirroring	Support		
Focus	Auto/Manual		
Iris	Auto/Manual		
Electronic shutter	Auto/Manual		
Gamma	Support		
Backlight Compensation	Support		

IP Streaming			
Video Encoding	H.264/H.265		
Bitrate Control	Variable bitrate(VBR), Constant bitrate(CBR)		
Bitrate Range	1024Kbps~ 61440Kbps		
Network Port Speed	1000M		
Protocol	NDI® HX, SRT, HTTP, RTSP, RTMP, ONVIF, VISCA over IP, TCP, UDP, VISCA, PELCO P/D, HTML5, Webrtc, RTP Multicast		
Pan/Tilt Movement			
Preset	Remote controller: 10; Serial port: 128; Accuracy: 0.1°		
Pan Rotation Angle	-170°~+170°		
Tilt Rotation Angle	-30°~+90°		
Pan Rotation Speed	12x: 0.1°~120°/s	20x: 0.1°~120°/s	30x: 0.1~80°/s
Tilt Rotation Speed	12x: 0.1°~80°/s	20x: 0.1°~80°/s	30x: 0.1~60°/s
I/O Interface			
Control Port	RS232(RS485), NDI® HX		
Video Port	NDI® HX, HDMI2.0, 3G-SDI, USB Type-C		
Audio Port	stereo 3.5mm linear inputs		
Tally	Support		
POE+	Support		
Daisy Chain	Support		
General			
Input Voltage	DC12V , POE+(IEEE802.3at)		
Operating Temperature	-10℃~50℃		
Operating Humidity	≤80%		
Color	Black/White		
Dimension (LxWxH)	12x: 220mmx190mmx173mm	20x: 220mmx190mmx173mm	30x: 220mmx190mmx193.5mm
Net Weight	12x: 1.5kg(3.3LBS)	20x: 1.5kg(3.3LBS)	30x: 1.9kg(4.2LBS)



Telecam Technology Co.,Ltd

Phone number: +86 755 33275155 E-mail: sales@telycam.com

Add: 6 Floor, Building A, Shuanghuan Information Technology Industrial Park, No.8, Baoqing Rd, Longgang District, Shenzhen, 518116, China



VISION+ N3

NDI® |HX3 Auto Tracking Live Streaming PTZ Camera



NDI® |HX3 | 20x/30x | 1080p60 | Auto-tracking

Lower Latency, Better Image

Vision+ N3 is the premium NDI® |HX3 1080p60 PTZ camera series from Telycam, built-in with the latest NDI® SDK, and equipped with American most advanced image processing solution to deliver high definition and crystal clear image.

It has smooth PTZ mechanical design, to make accurate and stable pan, tilt, and zoom movement. NDI® |HX3, HDMI, SDI, and USB2.0 output Full HD resolution, ideal for professional live streaming applications.

With 20x and 30x optical zoom available, the Vision+ N3 can fit seamlessly into any production scenario.

Line in audio input, the audio can output with video simultaneously from NDI® |HX, HDMI2.0, SDI.

Application



Key features

◆ 1080p60 FHD Resolution

Equipped with premium image processing solution and Sony HD CMOS sensor, to deliver high definition and crystal-clear images even in low-light working environments.

◆ Built-in auto-tracking function

With built-in auto-tracking function, you don't need any third-party software or device, just turn on with one click on the WebUI, matching remote control or Telycam's control keyboard, and you can track the target accurately and smoothly without any outside interference. You can also switch the target talent, or set the target area, or change the target size.

◆ FREE D

Build-in FreeD protocol to exchange Telycam PTZ cameras' PTZF data with your VR/AR systems.

◆ 20x/30x optical zoom

It shoots with a 20x/30x optical zoom lens with a 60 degree FOV, and a proprietary focusing algorithm enable fast and precise focus performance when zooming or moving, to capture every detail of the scene.

◆ NDI® |HX3 3G-SDI/HDMI/USB2.0 Available

In addition to NDI® |HX3, 3G-SDI, HDMI and USB2.0 output image simultaneously as well.

3G-SDI and HDMI are for conventional video production workflow, and USB output can be used as a high-end webcam.

Specification

Camera	Vision+ N3 20x	Vision+ N3 30x
Part Number	TLC-300-IP-20-(NDI)-AB	TLC-700-IP-30-(NDI)-AB
Sensor	1/2.8 inch, 2.4MP UHD CMOS Sensor	1/1.8 inch, 12MP UHD CMOS Sensor
Zoom	20X optical zoom	30X optical zoom
Lens	f= 4.9~98mm,F1.5~ F3	f= 6.91~214.64mm,F1.35 ~ F4.6
Horizontal View Angle	60°(Wide)~ 3.2°(Tele)	60°(Wide) ~ 2°(Tele)
Vertical Viewing Angle	32.2°~ 1.8°	34.14°~ 1.12°
Diagonal Viewing Angle	60°~3.64°	67.08°~ 2.27°
Minimum Working Distance	1.0m	1.5m
S/N Ratio	≥50dB	
Video Format	HDMI2.0: 1920*1080P60/50/30/25/59.94/29.97/24/23.98; 1920*1080i60/50/59.94; 1280*720P60/50/30/25/59.94/29.97	
	NDI® HX3: Main Stream: 1920*1080@15~60; 1280*720@15~60; 1024*576@15~60; Sub Stream: 640*360@15~30	
	3G-SDI: 1920*1080P60/50/30/25/59.94/29.97/24/23.98; 1920*1080i60/50/59.94; 1280*720P60/50/30/25/59.94/29.97	
	USB Type-C: NV12: 1920*1080p5; 1280*720p15; 1024*576P25; 800*448P30; YUYV: 1920*1080p5; 1280*720p10; 1024*576P15; 800*448P30; MJPEG: 1920*1080P30; 1280*720P30; 1024*576P30; 800*448P30; H264/HEVC; 1920*1080P30; 1280*720P30; 1024*576P30; 800*448P30	
Image Parameters		
Noise Reduction	2D&3D	
Minimum lux	12x:0.5Lux(50 IRE Max AGC,1/30,F1.8)	30x:0.5Lux(50 IRE Max AGC,1/30,F1.8)
White Balance	Auto/Manual/Auto tracking/Push/Indoor/Outdoor/Color Temperature	
Exposure	Auto/Manual/Shutter Priority/Iris Priority/Brightness Priority	
Anti-Flicker	OFF, 50Hz, 60Hz	
Image Flip	Support	
Mirroring	Support	
Focus	Auto/Manual	
Iris	Auto/Manual	
Electronic shutter	Auto/Manual	
Gamma	Support	
Backlight Compensation	Support	

IP Streaming	
Video Encoding	H.264/H.265
Bitrate Control	Variable bitrate(VBR), Constant bitrate(CBR)
Bitrate Range	1024Kbps~ 61440Kbps
Network Port Speed	1000M
Protocol	NDI® HX3, SRT, HTTP, RTSP, RTMP, ONVIF, VISCA over IP, TCP, UDP, VISCA, PELCO P/D, HTML5, Webrtc, RTP Multicast
Pan/Tilt Movement	
Preset	Remote controller: 10; Serial port: 128; Accuracy: 0.1°
Pan Rotation Angle	-170°~+170°
Tilt Rotation Angle	-30°~+90°
Pan Rotation Speed	20x: 0.1°~120°/s 30x: 0.1~80°/s
Tilt Rotation Speed	20x: 0.1°~80°/s 30x: 0.1~60°/s
I/O Interface	
Control Port	RS232(RS485), NDI® HX3
Video Port	NDI® HX3, HDMI, 3G-SDI, USB Type-C
Audio Port	stereo 3.5mm linear inputs
Tally	Support
POE+	Support
Daisy Chain	Support
General	
Input Voltage	DC12V , POE+(IEEE802.3at)
Operating Temperature	-10℃~50℃
Operating Humidity	≤80%
Color	Black/White
Dimension (LxWxH)	20x: 220mmx190mmx173mm 30x: 220mmx190mmx193.5mm
Net Weight	20x: 1.5kg(3.3LBS) 30x: 1.9kg(4.2LBS)



Telecam Technology Co.,Ltd

Phone number: +86 755 33275155 E-mail: sales@telycam.com

Add: 6 Floor, Building A, Shuanghuan Information Technology Industrial Park, No.8, Baoqing Rd, Longgang District, Shenzhen, 518116, China



VISION+ SE

ADVANCED 4K60 PTZ CAMERA WITH NATIVE AUTO-TRACKING
AND NDI® |HX INTEGRATION



NDI® |HX/3G-SDI (or HDMI) | 12x | 4K60 | Auto-tracking

Elevate Your Live Broadcasting with Elite Capabilities

The Vision+ SE is a true 4K60 12X PTZ camera equipped with an integrated native auto-tracking feature.

It seamlessly integrates with the latest NDI® SDK

Incorporating the most advanced American image processing solution and featuring a cutting-edge Sony 1/2.8-inch 8.4MP sensor and Telycam's proprietary video camera algorithms, it effortlessly captures 4K60 ultra HD images with true-to-life colors, even in challenging low-light or high-contrast environments.

Its sleek PTZ mechanical design ensures precise pan, tilt, and zoom movements. NDI® |HX allows it to output up to 4K UHD resolution, while 3G-SDI and USB2.0 provide Full HD resolution output, making it an ideal choice for professional live streaming applications.

Furthermore, it offers line-in audio input, enabling simultaneous audio and video output from both NDI® |HX and 3G-SDI (or HDMI) sources

Application



Key features

◆ Unparalleled 4K UHD Brilliance

Harnessing state-of-the-art image processing, our camera takes the visual narrative a notch higher, effortlessly streaming ultra-HD video at 4Kp60/59.94. Dive into a world of breathtaking clarity, where every shade and nuance shines, even in subdued lighting.

◆ One-Touch Auto-Tracking Precision

Eliminate the need for third-party tools. With a straightforward click—be it through WebUI, remote control, or Telycam's specialized keyboard—the integrated auto-tracking leaps into action. Tailor your tracking to specific talents, regions, or dimensions with unmatched ease.

◆ Enhanced Reality with FreeD

Bridging worlds, we've embedded the FreeD protocol. Now effortlessly sync PTZF data with your VR/AR systems, opening new dimensions in your creative arsenal.

◆ Magnify with 12x Optical Mastery

Our lens isn't just about capturing; it's about immersing. Flaunting a 4K 12x optical zoom and a generous 80.5-degree FOV, paired with a custom focusing algorithm, every zoom and pan translates to a journey through intricate details.

◆ Adaptable Streaming Elegance

Versatility redefined. Whether it's NDI® |HX output touching 4Kp60/59.94, the fidelity of 3G-SDI (both A and B levels), or USB-C pushing up to 1080p60/59.94, our camera gracefully adapts, making it an asset in varied streaming landscapes.

◆ Integrated NDI® Ecosystem

Seamlessly woven with Newtek's NDI® SDK, our camera stands as a cornerstone in the plug-and-play universe of live streaming. Dive into an ocean of possibilities, crafting content that's as diverse as it is captivating.

◆ Intuitive Tally Indication

No more second-guessing. Our camera's indicator doubles as a Tally light, syncing with NDI® device notifications. At a single glance, gauge the pulse of your live stream—whether it's rolling or paused.

Specification

Camera		Vision+ SE	
Part NO.	TLC-300-IP-12-4K(NDI)-AB-SE-SDI	TLC-300-IP-12-4K(NDI)-AB-SE-HDMI	
Sensor	1/2.8 inch, 8.4MP UHD CMOS Sensor		
Zoom	12X optical zoom		
Lens	f= 3.4mm ~ 40.3 mm, F1.8 ~ F3.6		
Horizontal View Angle	80.5°(Wide)~ 7.6°(Tele)		
Shortest Focus Distance	Wide: 1m Tele: 1.5m		
Vertical Viewing Angle	50.0°~ 4.4°		
Diagonal Viewing Angle	88.9°~8.7°		
S/N Ratio	≥50dB		
Video Format	NDI® HX: Main Stream: 3840*2160P15~60; 1920*1080P15~60; 1280*720P15~60; 1024*576P15~60; Sub Stream :640*360P15~30		
	3G-SDI: 1920*1080P60/59.94/50/30/29.97/ 25/24/23.98; 1920*1080i60/59.94/50; 1280*720P60/59.94/50/30/29.97/25	HDMI: 3840*2160P15~60;1920*1080P15~60; 1280*720P15~60; 1024*576P15~60;	
	USB Type-C: NV12: 1920*1080P5;1280*720P15;1024*576P25;800*448P30; YUYV: 1920*1080P5;1280*720P15;1024*576P25;800*448P30; MJPEG: 3840*2160P30;1920*1080P60;1280*720P60;1024*576P60;800*448P60; H264/H265:3840*2160P30;1920*1080P60;1280*720P60;1024*576P60;800*448P60		
Image Parameters			
Noise Reduction	2D&3D		
Minimum lux	0.5Lux(50 IRE Max AGC,1/30,F1.8)		
White Balance	Auto/Manual/Auto tracking/Push/Indoor/Outdoor/Color Temperature		
Exposure	Auto/Manual/Shutter Priority/Iris Priority/Brightness Priority		
Anti-Flicker	OFF, 50Hz, 60Hz		
Image Flip	Support		
Mirroring	Support		
Focus	Auto/Manual		
Iris	Auto/Manual		
Electronic-shutter	Auto/Manual		
Gamma	Support		
Backlight Compensation	Support		

IP Streaming		
Video Encoding	H.264/H.265	
Bitrate Control	Variable bitrate(VBR), Constant bitrate(CBR)	
Bitrate Range	1024Kbps~ 61440Kbps	
Network Port Speed	1000M	
Protocol	NDI® HX, SRT, HTTP, RTSP, RTMP, ONVIF, VISCA over IP, TCP, UDP, VISCA, PELCO P/D	
Pan/Tilt Movement		
Preset	Remote controller: 10; Serial port: 128; Accuracy: 0.1°	
Pan Rotation Angle	-170°~+170°	
Tilt Rotation Angle	-30°~+90°	
Pan Rotation Speed	0.1°~120°/s	
Tilt Rotation Speed	0.1°~80°/s	
I/O Interface		
Control Port	RS232(RS485), NDI® HX	
Video Port	NDI® HX, 3G-SDI, USB Type-C	NDI® HX, HDMI, USB Type-C
Audio Port	3.5mm stereo line in	
Tally	Support	
POE+	Support	
Daisy Chain	Support	
General		
Input Voltage	DC12V , POE+(IEEE802.3at)	
Operating Temperature	-10℃~50℃	
Operating Humidity	≤80%	
Dimension (L×W×H)	220mm×190mm×173mm	
Net Weight	1.5kg(3.3LBS)	
Color	Black/White	



Telecam Technology Co.,Ltd

Phone number: +86 755 33275155 E-mail: sales@telycam.com

Add: 6 Floor, Building A, Shuanghuan Information Technology Industrial Park, No.8, Baoqing Rd, Longgang District, Shenzhen, 518116, China



DRIVE+ N

NDI® | HX LIVE STREAMING PTZ VIDEO CAMERA



NDI® | HX | 12x/20x | 1080p60 | POE+

Broadcast Level, Enterprises Cost Live Streaming

Drive+ N series is integrated with latest NDI® | HX technology, equipped with an industry-level image processing solution, an advanced 2.4MP sensor, and 12x or 20x optical zoom lens, to deliver sharp and high-definition video.

With NDI® | HX, HDMI, 3G-SDI, and USB3.0 video output connectivity, it can be used in various applications to produce and stream video, for studio room, classroom, meeting room, church, etc.

With 12x and 20x optical zoom available, the Drive+ N can fit seamlessly into any production scenario.

Application



Key features

◆ FHD resolution

Drive 12/20 features an industry-level image processor, 1/2.8-inch 2.4-megapixel sensor, and outputs full high-definition video resolution of 1920*1080p60 to display clear, sharp, and lifelike images to users, even in low-light working environments.

◆ 12x/20x optical zoom

It shoots with a 12x optical zoom lens with a wide angle 72.5-degree or 20x optical zoom lens with 60-degree field of view, and a proprietary focusing algorithm enable fast and precise focus performance when zooming or moving, to capture every detail of the scene.

◆ NDI® | HX /3G-SDI/HDMI/USB3.0 Available.

In addition to NDI® | HX, 3G-SDI, HDMI and USB3.0 output image simultaneously as well. 3G-SDI and HDMI are for conventional video production workflow, and USB output can be used as a high-end webcam.

◆ Program and Preview Tally

The indicator light can work as Tally when receiving tally notification from the NDI® devices, to show the live is on or off.

Specification

Camera	Drive+ N 12x	Drive+ N 20x
Part Number	TLC-300-IP-12(NDI)	TLC-300-IP-20(NDI)
Sensor	1/2.8 inch, 2.4MP UHD CMOS Sensor	
Zoom	12X optical zoom	20X optical zoom
Lens	f=3.92 ~ 47.32mm, F1.8 ~ F2.8	f=4.9 ~ 98mm, F1.5 ~ F3.0
Horizontal View Angle	72.5°(Wide) ~ 6.3°(Tele)	60°(Wide) ~ 3.2°(Tele)
Vertical Viewing Angle	42.72°~3.66°	34.14°~1.12°
Diagonal Viewing Angle	78.58°~7.42°	67.08°~2.27°
Minimum Working Distance	1.0m	1.0m
S/N Ratio	≥50dB	
Video Format	HDMI: 1920*1080P60/50/30/25/59.94/29.97/24/23.98; 1920*1080i60/50/59.94; 1280*720P60/50/30/25/59.94/29.97	
	NDI® HX: 1920*1080@3~60; 1280*720@3~60; 1024*576@3~60; 640*360@3~60 (low bandwidth mode)	
	3G-SDI: 1920*1080P60/50/30/25/59.94/29.97/24/23.98; 1920*1080i60/50/59.94; 1280*720P60/50/30/25/59.94/29.97	
	USB 3.0: 1920*1080P60/50/30/25(USB3.0);1280*720P60/50/30(USB3.0); 1280*720P25(USB3.0&USB2.0);1024*576P30(USB3.0&USB2.0); 960*540P30(USB2.0);640*360P30(USB2.0);512*288P30(USB2.0)	
Image Parameters		
Noise Reduction	2D&3D	
Minimum lux	0.7Lux (50 IRE Max AGC,1/30, F1.8)	
White Balance	ATW/Manual/Auto/Indoor/Outdoor/One Push/Sodium/Fluorescent	
Exposure	Auto/Manual/Shutter Priority/Iris Priority/Brightness Priority	
Anti-Flicker	OFF, 50Hz, 60Hz	
Image Flip	Support	
Mirroring	Support	
Focus	Auto/Manual	
Iris	Auto/Manual	
Electronic shutter	Auto/Manual	
Gamma	Support	
Backlight Compensation	Support	

IP Streaming	
Video Encoding	H.264/H.265
Bitrate Control	Variable bitrate(VBR), Constant bitrate(CBR)
Bitrate Range	1024Kbps~ 16384Kbps
Network Port Speed	1000M
Protocol	NDI® HX, SRT, HTTP, RTSP, RTMP, DHCP, ONVIF, VISCA over IP, VISCA TCP, VISCA UDP
Pan/Tilt Movement	
Preset	Remote controller: 10; Serial port: 128; Accuracy: 0.1°
Pan Rotation Angle	-170°~+170°
Tilt Rotation Angle	-30°~+90°
Pan Rotation Speed	0.1°~120°/s
Tilt Rotation Speed	0.1°~80°/s
I/O Interface	
Control Port	RS232, RS485, NDI® HX, USB3.0(UVC1.5), USB2.0(UVC1.1)
Video Port	NDI® HX, HDMI, 3G-SDI, USB 3.0
Tally	Support
POE+	Support
Daisy Chain	Support
General	
Input Voltage	DC12V , POE+(IEEE802.3at)
Operating Temperature	-10℃~50℃
Operating Humidity	≤80%
Color	Black/White
Dimension (LxWxH)	220mmx190mmx173mm
Net Weight	1.35kg



Telecam Technology Co.,Ltd

Phone number: +86 755 33275155 E-mail: sales@telycam.com

Add: 6 Floor, Building A, Shuanghuan Information Technology Industrial Park, No.8, Baoqing Rd, Longgang District, Shenzhen, 518116, China



DRIVE+SE



NDI® | HX/3G-SDI (or HDMI) | USB3.0 | 20x | 1080p60

Stream at Broadcast Quality: An Enterprise-Level Solution for Live Streaming

The Drive+ SE seamlessly integrates the most recent NDI® |HX technology. With state-of-the-art image processing, an impressive 2.4MP sensor, and a 20x optical zoom lens, this equipment promises video of exceptional clarity and definition.

Its compatibility with NDI® |HX, 3G-SDI (or HDMI), and USB3.0 video outputs ensures its adaptability across various scenarios—be it a professional studio, an educational classroom, a business meeting room, or a religious setting like a church.

Step into the future of effortless video content creation!

Application



Features & Benefits:

◆ Full HD Clarity

The Drive+ SE boasts an industry-leading image processor and a 1/2.8-inch 2.4-megapixel sensor. This ensures full high-definition video output at 1920x1080p60, offering users vivid, sharp, and realistic visuals even in challenging low-light conditions.

◆ Precision Zoom

Equipped with a 20x optical zoom lens and a 60-degree field of view, the Drive+ SE's proprietary focusing algorithm ensures rapid and accurate focus. Whether you're zooming in or panning across, capture every intricate detail effortlessly.

◆ Latest NDI® |HX Integration

Leveraging Newtek's NDI® technology, the Drive+ SE creates a seamless plug-and-play experience across diverse live streaming products and platforms. This facilitates the production of rich and varied live content.

◆ Versatile Outputs

Beyond NDI® |HX, the Drive+ SE can output via 3G-SDI and USB3.0 simultaneously, offering unparalleled flexibility in connectivity.

◆ Intuitive Tally System

The built-in indicator light doubles as a tally, responding to notifications from NDI® devices. Easily discern when you're live with a glance.

Specification

Camera		Drive+ SE	
Part Number	TLC-300-IP-20(NDI)-SE-SDI	TLC-300-IP-20(NDI)-SE-HDMI	
Sensor	1/2.8 inch, 2.4MP UHD CMOS Sensor		
Zoom	20X optical zoom		
Lens	f= 4.9mm ~ 98 mm, F1.5 ~ F3.0		
Horizontal View Angle	60°(Wide)~ 3.2°(Tele)		
Vertical Viewing Angle	34.14°~ 1.12°		
Diagonal Viewing Angle	67.08°~2.27°		
Minimum Working Distance	1.0m		
S/N Ratio	≥50dB		
Video Format	NDI® HX: 1920*1080@3~60; 1280*720@3~60; 1024*576@3~60; 640*360@3~60 (low bandwidth mode)		
	3G-SDI (or HDMI): 1920*1080P60/50/30/25/59.94/29.97/24/23.98; 1920*1080i60/50/59.94; 1280*720P60/50/30/25/59.94/29.97		
	USB 3.0: 1920*1080P60/50/30/25(USB3.0);1280*720P60/50/30(USB3.0); 1280*720P25(USB3.0&USB2.0);1024*576P30(USB3.0&USB2.0); 960*540P30(USB2.0);640*360P30(USB2.0);512*288P30(USB2.0)		
Image Parameters			
Noise Reduction	2D&3D		
Minimum lux	0.7Lux(50 IRE Max AGC,1/30,F1.8)		
White Balance	ATW/Manual/Auto/Indoor/Outdoor/One Push/Sodium/Fluorescent		
Exposure	Auto/Manual/Shutter Priority/Iris Priority/Brightness Priority		
Anti-Flicker	OFF, 50Hz, 60Hz		
Image Flip	Support		
Mirroring	Support		
Focus	Auto/Manual		
Iris	Auto/Manual		
Electronic shutter	Auto/Manual		
Gamma	Support		
Backlight Compensation	Support		

IP Streaming	
Video Encoding	H.264/H.265
Bitrate Control	Variable bitrate(VBR), Constant bitrate(CBR)
Bitrate Range	1024Kbps~ 16384Kbps
Network Port Speed	1000M
Protocol	NDI® HX, SRT, HTTP, RTSP, RTMP, DHCP, ONVIF, VISCA over IP, VISCA TCP, VISCA UDP
Pan/Tilt Movement	
Preset	Remote controller: 10; Serial port: 128; Accuracy: 0.1°
Pan Rotation Angle	-170°~+170°
Tilt Rotation Angle	-30°~+90°
Pan Rotation Speed	0.1°~120°/s
Tilt Rotation Speed	0.1°~80°/s
I/O Interface	
Control Port	RS232, RS485, NDI® HX, USB3.0(UVC1.5), USB2.0(UVC1.1)
Video Port	NDI® HX, 3G-SDI (or HDMI), USB 3.0
Tally	Support
POE+	Support
Daisy Chain	Support
General	
Input Voltage	DC12V , POE+(IEEE802.3at)
Operating Temperature	-10℃~50℃
Operating Humidity	≤80%
Dimension (LxWxH)	220mm×190mm×173mm
Net Weight	1.35kg
Color	Black/White



Telecam Technology Co.,Ltd

Phone number: +86 755 33275155 E-mail: sales@telycam.com

Add: 6 Floor, Building A, Shuanghuan Information Technology Industrial Park, No.8, Baoqing Rd, Longgang District, Shenzhen, 518116, China



V-JOY+/V-JOY

NDI CONTROL KEYBOARD



Key features

● Broad Compatibility

Supports multiple protocols NDI®, VISCA over IP, Serial VISCA, ONVIF, PELCO P/D, Users can control multiple cameras with different protocols with one keyboard, or multiple keyboards controlling one camera through a network interface. It has 7 camera control shortcut keys, to enable up to 255 cameras to be controlled via a keyboard.

● Intuitive and Clear Layout

A high-definition screen to show detailed camera and control status. PTZF four-dimensional joystick to make smooth control of the camera's all-around rotation, zooming and focus. Independent layout of numeric and functional areas for clear setup and control.

● Flexible Control

Basic pan/tilt/zoom control, PTZ control speed, as well as preset can be easily accomplished. Auto tracking switch and set. 128 preset positions can be set, recalled, and cleared via the numerical button area. Focus, Iris, Exposure, White balance, WDR, and Backlight compensation can be set and adjusted.

Application



Specification

Camera	V-Joy+	V-Joy
Part NO.	TLC-50TC(NDI)	TLC-50TC
Control Ports	NDI® HX, RS232, RS422, RS485	RJ45, RS232, RS422, RS485
RJ45	Ethernet port, POE (IEEE802.3af)	
RS232	DB9 Male head	
RS422	3.81 Spacing terminal, T+, T-, R+, R-	
RS485	3.81 Spacing terminal, T+, T-	
Control Protocols	NDI®, VISCA Serial, PELCO-P, PELCO-D, VISCA over IP, VISCA TCP, VISCA UDP, ONVIF	
Upgrade Port	Type-C	
LCD Screen	3.12-inch OLED screen, blue light, 256x64 pixel	
Working Power	12V, 1A	
Working Temperature	-10°C~50°C	
Working Humidity	20%~80%	
Storage Temperature	-20°C~60°C	
Storage Humidity	0~90%	
Dimension	320.5mmx156.5mmx118mm	
Net Weight	1.05kg	



Please scan with browser.

Telecam Technology Co.,Ltd

Phone number: +86 755 33275155 E-mail: sales@telycam.com

Add: 6 Floor, Building A, Shuanghuan Information Technology Industrial Park, No.8, Baoqing Rd, Longgang District, Shenzhen, 518116, China

MEET+ 50

UHD WEBCAM FOR DESKTOP AND SMALL ROOM



- AI autofocus algorithm, fast and accurate focusing
- Support ePTZ electronic pan/tilt, convenient and quick to use (below 1080P).
- USB2.0 output, supports MJPG, YUY2 compression format.
- Supports Windows, MAC OS, Android, Linux operating systems.
- Built-in 2 omnidirectional microphones, sensitivity: $-26 \pm 2\text{dB RL} = 2.2\text{K}\Omega \text{ Vs} = 2.0\text{V}$; signal-to-noise ratio: 64dB; pickup distance: 3m.
- Multiple installation ways to meet the requirements of video shooting in different occasions.
- Comes with a standard USB Type-C cable (1.5 meters) for effective connection between the laptop and the camera.
- LED operational indicator light automatically illuminates upon activating the image display.

Specification

Camera	Meet+ 50
Part Number	TLC-50-U2-4K
Sensor	1/2.55" 12.2MP UHD CMOS sensor
Horizontal View Angle	69.8°
Vertical viewing angle	54.5°
Diagonal viewing angle	81.5°
Zoom	3x digital zoom
EPTZ	Support
Output Interface	USB2.0(Type-A)
Video Format	YUY2: 640*480@30/20; 640*360@30/20
USB2.0(Type-C)	MJPG: 4000*3000P15/10; 3840*2160P30/15/10; 2592*2194P30/15/10; 2048*1536P30/15/10; 1920*1080P60/30/15/10; 1600*1200P30/15/10; 1280*720P30/15/10; 800*600P30/15/10; 640*480P30/15/10; 320*240P30/15/10;
Focus	AI Auto Focus
Image Parameters	
White Balance/Exposure/Focus	Auto/Manual
Flicker	50HZ/60HZ
2D Noise Reduction	Support
WDR/Backlight contrast	Support
Backlight Compensation	Support
Mirror, Flip	Support
Microphone Pointing	Omnidirectional microphone
Sensitivity	$-26 \pm 2\text{dB RL} = 2.2\text{K}\Omega \text{ Vs} = 2.0\text{V}$
Gamma/Brightness/Sharpness	Support
Saturation/Contrast	Support
General	
Input Voltage	USB5V
Product certification	RoHS、FCC、CE
Working Environment	Temperature: $-10^{\circ}\text{C} \sim 50^{\circ}\text{C}$; Humidity: $\leq 80\%$
Storage temperature	$-20^{\circ}\text{C} \sim 60^{\circ}\text{C}$
Webcam Size	106mm×57.2mm×55.5mm
Package Size	144×103.5mm×50mm
Net Weight	150g
Accessories	1.5m USB2.0(A-C) cable, Manual, Warranty card

USB Type-A



Please scan with browser.

Telecam Technology Co.,Ltd

Phone number: +86 755 33275155 E-mail: sales@telycam.com

Add: 6 Floor, Building A, Shuanghuan Information Technology Industrial Park, No.8, Baoqing Rd, Longgang District, Shenzhen, 518116, China



MEET+ 100

4K AI Auto Focus Camera



4K30 | AI AUTO FOCUS | 80°FOV | Privacy Protection

For desktop video conferencing and live streaming

Meet+ 100 is a high-quality 4K auto focus webcam. Only one USB (Type-C) cable is used to enable power, control and video. Thanks to being equipped with advanced image processing solution and sensor, it presents realistic color, sharp and smooth image.

Meet+ 100 is developed with Telycam's own-developing focusing algorithm, to make the focus unrivalled fast and accurate. Built-in top-rated quality microphone, it can pick up the voice crystal clearly.

Meet+ 100 is the ideal for desktop video conferencing and live streaming.

Application



Key features

◆ 4K sharp image and AI Auto Focus

Adopt the most advanced 4K image processing solution, Sony 1/2.8" 12MP UHD CMOS sensor, and high-quality 80° diagonal view angle optical glass lens to output 4K30 UHD and 1080p60 FHD image. Support AI Auto Focus technology to enable focus at very short distance fast and accurate.

◆ 3X Digital Zoom

Thanks to its true 4K lens, this zoom camera support max 3X digital zoom with crystal video quality. (2x at 1080P and 3x at 720P)

◆ Portrait Video Display

Multiple video resolutions are supported, both in landscape and portrait mode, can meet your flexible application.

◆ Flexible USBA & C Connection

Plug and Play, easy to use, the webcam box package include both 1.5meter USB type A and Type C cable connector.

◆ Black Light Compensation

This webcam also support black light compensation, to output always bright and clear image even under low light background

◆ Security and Privacy Protection

Silicon lens cover help to prevent online hackers from spying on you, and keep the lens clean when the camera not in use.

Specification

Camera	Meet+ 100
Part Number	TLC-100-U2-4K
Sensor	1/2.8 inch, 12MP UHD CMOS sensor
Lens	Iris: F1.8; View Angle: 80°(Diagonal), 65°(Horizontal) Object Distance: 10cm~infinity
Zoom	1080P supports 2X digital zoom, 720P supports 3X digital zoom
EPTZ	Support
Output Interface	USB(Type-c)
Video Format USB(Type-c)	YUY2: 1280*720@10; 1024*576@20; 640*480@30
	MJPG: Landscape video: 3840*2160@30; 2560*1440@30; 1920*1080@30; 1280*720@30; 1024*576@30; 640*480@30 Portrait video: 1080*1920@30; 720*1280@30; 576*1024@30; 360*480@30
Eocus	AI Auto Focus
Image Parameters	
White Balance	Auto/Manual
Exposure	Auto/Manual
Flicker	50HZ/60HZ/OFF
2D、3D Noise Reduction	Support
WDR	Support
Backlight Compensation	Support
Mirror, Flip	Support
Microphone Pointing	Omnidirectional microphone
Sensitivity	-26±2dB RL=2.2KΩ Vs=2.0V
S/N Ratio	64dB



General	
Polar Distance	3~5m
Input Voltage	USB power supply
Working Environment	Temperature: -10°C~50°C; Humidity: ≤80%
Webcam Size	76mm×φ48mm
Package Size	114.5mmx87mmx85mm
Net Weight	0.13kg
Gross Weight	0.3kg
Available Color	Dark gray, Silver
Accessories	1.5m USB2.0(A-C) cable, Manual, Warranty card



Telecam Technology Co.,Ltd

Phone number: +86 755 33275155 E-mail: sales@telycam.com

Add: 6 Floor, Building A, Shuanghuan Information Technology Industrial Park, No.8, Baoqing Rd, Longgang District, Shenzhen, 518116, China

Please scan with browser.



● Impressed Image Quality

- Adopt the most advanced image DSP and 1/2.8" 8.42MP sensor, to output 3840x2160@30 UHD resolution.
- Used high quality 12MP and 120-degree optical full glass lens, output ultra-high definition and crisp image.
- 4x digital zoom
- Support Auto Framing: Auto Framing participants at meeting start or enter, leave, or change positions.
- Standard UVC 1.1 protocol, compatible with most VC application.

● Collect the Voice Correctly

- Built-in dual beam forming microphone, pick up voice at 5meters distance

● Connect Easily

- USB2.0 output
- A single USB cable for video output, camera control and power supply directly, totally minimize cable clutter.
- Flexible hinge design: fit for monitor, PC, tripod, wall mount and on desk mounting.
- Support image flip function, camera can be installed upside down.

Specification

Camera	Meet+ 200
Part Number	TLC-200M-U2-4K
Sensor	1/2.8 inch, 8.42-MP SONY CMOS sensor
Video Format	YUY2/NV12: 1280*720@15; 1024*576@20; 640*480@30
	MJPG: 3840*2160@30;2560*1440@30; 1920*1080@30; 1280*720@30; 1024*576@30; 640*480@30
	H.264/H.265: 3840*2160@30; 2560*1440@30; 1920*1080@30; 1280*720@30; 1024*576@30; 640*480@30
Optical Zoom	12-megapixel fixed lens
Digital Zoom	4X
Field of Viewing	120°, distortion rate less than 4%
Iris	F=2.2
Sensor Resolution	8.42 megapixel
Control Port	USB2.0(UVC1.1/UAC1.0)
Video Port	USB2.0
S/N Ratio	>50dB
Focal Length	f= 2.20mm
Minimum Lux.	0.7lux (50 IRE Max AGC, 1/30, F1.8)
Image Parameters	
White Balance	Auto/Manual
Electronic Shutter	Auto
Mirror, Flip, Anti-flicker	50HZ/60HZ/OFF
WDR	Support
General	
Polar distance	3~5 meters
Sensitivity	-26±2dB RL=2.2KΩ Vs=2.0V
Input Voltage	4.4~5.25V@500mA(USB port)
Dimension (L x Wx H)	199mmx92.5mmx65mm
Color	Silver/Black
Net Weight	0.32KG



Telecam Technology Co.,Ltd

Phone number: +86 755 33275155 E-mail: sales@telycam.com

Add: 6 Floor, Building A, Shuanghuan Information Technology Industrial Park, No.8, Baoqing Rd, Longgang District, Shenzhen, 518116, China



MEET 5-U3



5x | 1080P60 | Power via USB3.0 port

USB PTZ Camera for Huddle Room

To Make Collaboration Easy and Affordable

Meet 5-U3 is ideal used for video conferencing in the huddle room and small meeting space. It is equipped with Panasonic's advanced sensor, 5x optical zoom lens, 85 degree super wide angle, to output crystal clear image with realistic color, even in low light or high contrast of brightness and darkness environment.

It works with any of your favorite conferencing software, totally plug and play, use-friendly.

Application



Key features

◆ High-definition image

With Panasonic 5MP sensor, to deliver sharp and FHD image with realistic color; Support WDR, backlight compensation, noise reduction, to adjust image for different working environment

◆ 5x optical zoom, 85 degree FOV

Uses truly 5x optical zoom lens, with super wide angle 85-degree wide angle FOV, to capture details in the meeting room

◆ Plug and play

USB3.0 video output 1080p60 resolution, plug and play, work with any of your favorite video conferencing software

◆ Easy operation

Matched with IR remote controller, to control PTZ movement, 10 presets and adjust functions as preference in the OSD menu

◆ Power by USB3.0 port directly

Meet 5-U3 can power via a USB3.0 port directly, with no need for the power supply adaptor, which makes deployment even more simple, a single cable enables power, video, and control.

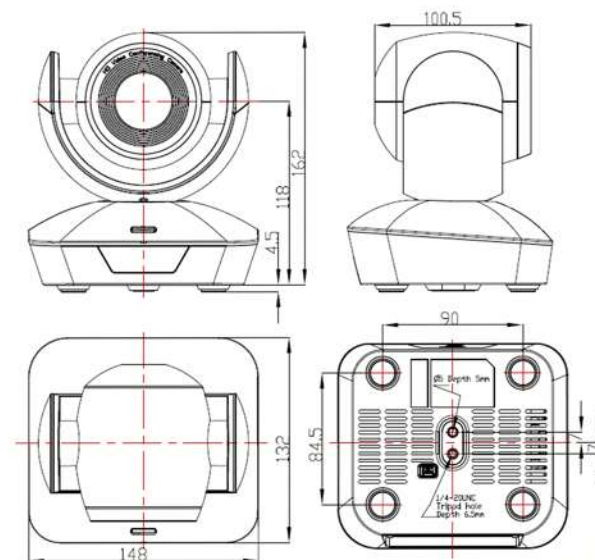
◆ Smooth and quite PTZ movement

Smart, compact and decent mechanism, to bring smooth, silent and accurate PTZ movement, to make sure everyone is participated in the meeting.

Specification

Camera	Meet 5-U3
Part Number	TLC-1000-U3-5
Sensor	1/2.8-inch high-quality 5MP HD CMOS sensor
Zoom	5x optical zoom , 2x digital zoom
Focal length	f = 3.1mm~15.5mm, F1.8 – F2.8
Horizontal View Angle	85°(wide) ~ 20°(tele)
Vertical Viewing Angle	52.4°(wide) ~ 11.7°(tele)
Diagonal Viewing Angle	90.9°(wide) ~ 22.5°(tele)
Minimum Working Distance	Wide: 0.3m; Tele: 1m
S/N Ratio	≥ 50dB
Video Format	USB3.0: 1080@60/50/30/25, 720@60/50/30/25, 1024x576@30 USB 2.0: 1280x720@25, 1024x576@30, 960x540@30, 640x360@30, 352x288@30
Image Parameters	
Noise Reduction	2D&3D
Minimum lux	0.7lux (50 IRE Max AGC, 1/30, F1.8)
White Balance	Auto/Manual/Indoor/Outdoor/Push/Sodium/Fluorescent
Focus	Auto/Manual
Iris	Auto/Manual
Electronic shutter	Auto/Manual
BLC	Support
Mechanism	
Preset	128 presets via RS232, 10 presets via remote controller
Pan Rotation Angle	-170°~ +170°
Tilt Rotation Angle	-30°~ +90°
Pan Rotation Speed	0°~120°/s
Tilt Rotation Speed	0°~80°/s
Control	RS232/RS485/USB/Remote Controller
Video Port	USB3.0

General	
Input Voltage	DC: 12V
Operating Temperature	-10℃~50℃
Operating Humidity	≤ 80%
Color	Silver
Dimension (LxWxH)	148mmx132mmx161mm
Package Dimension	28x24x24cm
Package Content	Camera, Remote Controller, RS232 cable, USB3.0 cable, Power Supply



Telecam Technology Co.,Ltd

Phone number: +86 755 33275155 E-mail: sales@telycam.com

Add: 6 Floor, Building A, Shuanghuan Information Technology Industrial Park, No.8, Baoqing Rd, Longgang District, Shenzhen, 518116, China



3x | 4K30 | USB&HDMI | Power via USB-C

UHD Video Conferencing Camera for small meeting rooms

Meet+ 3 is ideally used for video conferencing in small-sized meeting rooms. It is equipped with Sony 1/2.8-inch 8.4MP CMOS sensor and high quality 3x optical lens, to output crisp images with realistic color, even in low light or high contrast of brightness and darkness environment.

USB and HDMI can output different resolutions respectively at the same time, both can be up to 4K30.

Power via USB-C port.

It works with any of your favorite conferencing software, totally plug and play, and user-friendly.

Application



Key features

◆ 4K30 UHD output:

Equipped with advanced image processing solution and cutting-edge video camera algorithms, Sony 1/2.8-inch 8.4MP CMOS sensor and high-quality lens, to output crystal clear image, max up to 4K30 ultra high-definition resolution.

◆ 3x optical zoom

Uses truly 3x optical zoom lens, with 90-degree wide angle FOV, to capture details in small room

◆ USB and HDMI output

With USB-C and HDMI video ports, which can output the same or different resolutions respectively at the same time.

◆ Power via USB-C

Meet+ 3 can power via a USB-C port directly, with no need for the power supply adaptor, which makes deployment even more simple, a single cable enables power, video, and control.

◆ Plug and Play

Meet+ 3 is truly plug and play with no need for installing any driver, just open any of your favorite video conferencing software/platform to start the video chat immediately.

◆ Smooth and silent PTZ movement

Thanks to the compact and sophisticated mechanism design, and accurate driven algorithms, Meet+ 3 can move very smoothly without noise at variable pan/tilt/zoom speed.

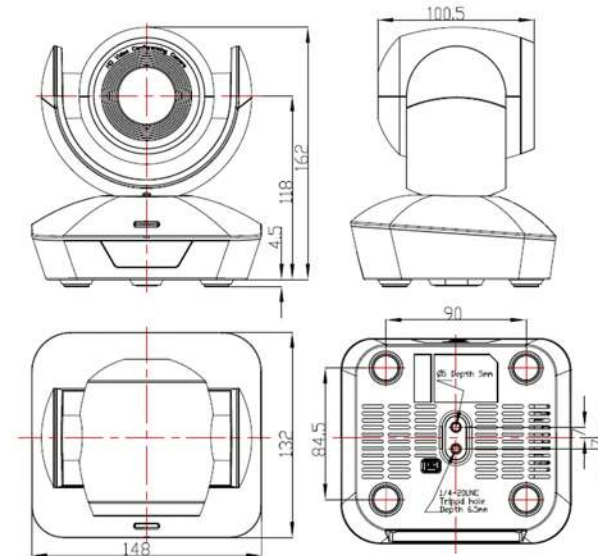
◆ Easy deployment and easy control

You can use the matched remote controller, or your video conferencing software or any VISCA device to control it.

Specification

Camera	Meet+ 3
Part Number	TLC-1000-HU2-3-4K
Sensor	1/2.8-inch, 8.4MP CMOS Sony sensor
Zoom	3x optical zoom + 12x digital zoom
Lens	f = 3.3mm~9.7 mm, F2.0 – 3.7
Horizontal View Angle	81.4°(wide) ~ 31.3°(tele)
Vertical Viewing Angle	50.5°(wide) ~ 18.2°(tele)
Diagonal Viewing Angle	92°(wide) ~ 35.8°(tele)
Minimum Working Distance	Wide: 0.5m; Tele: 1m
S/N Ratio	≥ 50dB
Video Format	HDMI: 3840*2160P30/25; 1920*1080P60//50/30/25; 1920*1080i60/50; 1280*720P60/50/30/25 USB 2.0 Type-C: MJPG: 3840*2160P30/25; 1920*1080P/30/25; 1280*960P30/25; 1280*720P30/25; 1024*768P30/25; 800*600P30/25; 640*480P30/25; 320*240P30/25 YUY2: 640*480P30/25/20/15; 320*240P30/25/20/15
Image Parameters	
Noise Reduction	2D&3D
Minimum lux	0.7lux (50 IRE Max AGC,1/30)
White Balance	Auto / Manual / Indoor/ Outdoor/ C.T. / PUSH
Exposure	Auto/Manual/Shutter Priority
Anti-Flicker	OFF, 50Hz, 60Hz
Image Flip	Support
Mirroring	Support
Focus	Auto/Manual
Iris	Auto/Manual
Electronic shutter	Auto/Manual
Gamma	Support
WDR	Support
Pan/Tilt Movement	
Preset	Remote controller: 10; Serial port: 128; Accuracy: 0.1°
Pan Rotation Angle	-170°~+170°
Tilt Rotation Angle	-30°~+90°
Pan Rotation Speed	0.1°~120°/s
Tilt Rotation Speed	0.1°~80°/s

General	
Input Voltage	DC: 12V
Operating Temperature	-10°C~50°C
Operating Humidity	≤80%
Color	Silver
Dimension (LxWxH)	148mmx132mmx162mm
Net Weight	0.85kg(1.85LBS)
Accessory	Power adapter, Power cable, 3m USB Type-C cable, manual, warranty card



Telecam Technology Co.,Ltd

Phone number: +86 755 33275155 E-mail: sales@telycam.com

Add: 6 Floor, Building A, Shuanghuan Information Technology Industrial Park, No.8, Baoqing Rd, Longgang District, Shenzhen, 518116, China

Please scan with browser.



10x | 1080p60 | USB&HDMI | Power via USB-C

Full HD Video Conferencing Camera

Meet+ 10x is ideally used for video conferencing in small and medium-sized meeting rooms. It is equipped with Panasonic 1/2.8" sensor and high quality 10x optical lens, to output crisp images with realistic color, even in low light or high contrast of brightness and darkness environment.

USB and HDMI can output different resolutions respectively at the same time, both can be up to 1080p60.

Power via USB-C port.

It works with any of your favorite conferencing software, totally plug and play, and user-friendly.

Application



Key features

◆ 1080p60 FHD output

Equipped with advanced image processing solution and cutting-edge video camera algorithms, a Panasonic 1/2.8 inch sensor and high-quality lens, to output crystal clear image, max up to 1080p60 full high definition resolution.

◆ 10x optical zoom

Featured with a high-quality 10x optical zoom lens, which is able to capture the participants at a distance of 10 meters, allowing the participants to occupy 1/3 of the screen in the display very clear and lively.

◆ USB and HDMI output

With USB-C and HDMI video ports, which can output the same or different resolutions respectively at the same time.

◆ Power via USB-C

Meet+ 10x can power via a USB-C port directly, with no need for the power supply adaptor, which makes deployment even more simple, a single cable enables power, video, and control.

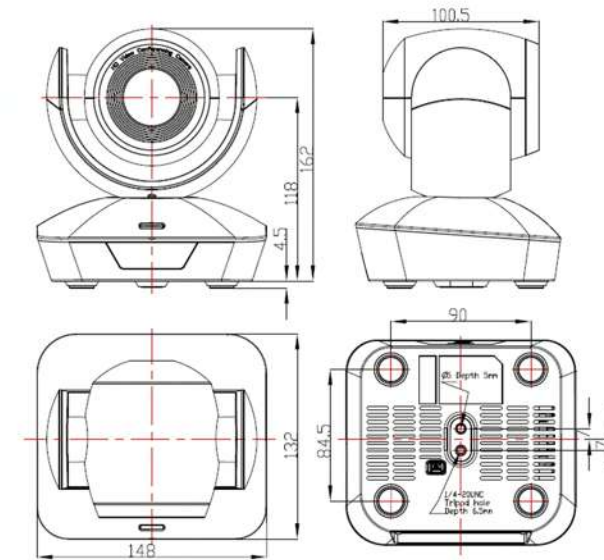
◆ Smooth and silent PTZ movement

Thanks to the compact and sophisticated mechanism design, and accurate driven algorithms, TLC-1000-HU2-10 can move very smoothly without noise at variable pan/tilt/zoom speed.

Specification

Camera	Meet+ 10
Part Number	TLC-1000-HU2-10
Sensor	1/2.8 inch, 2.4 MP CMOS Panasonic sensor
Zoom	10x optical zoom + 12x digital zoom
Lens	f= 4.7~47mm , F1.6-3.0
Horizontal View Angle	62.5°(wide)- 6.43°(tele)
Vertical Viewing Angle	40.1°~ 4.1°
Diagonal Viewing Angle	69.7° ~ 7.56°
Minimum Working Distance	Wide: 0.5m; Tele: 1m
S/N Ratio	≥50dB
Video Format	HDMI: 1920*1080P60/59.94/50/30/29.97/25/24; 1920*1080I60/59.94/50; 1280*720P60/59.94/50/30/29.97/25; USB 2.0 Type-C: MJPEG:1920*1080P60; 1280*960P60; 1280*720P60; 1024*768P60; 800*600P60; 640*480P30; 320*240P60; YUY2:640*480P30; 320*240P30
Image Parameters	
Noise Reduction	2D&3D
Minimum lux	0.7Lux (50 IRE Max AGC,1/30, F1.8)
White Balance	Auto / Manual / Indoor / Outdoor / C.T. / PUSH
Exposure	Auto/Manual/Shutter Priority/Iris Priority/Brightness Priority
Anti-Flicker	OFF, 50Hz, 60Hz
Image Flip	Support
Mirroring	Support
Focus	Auto/Manual
Iris	Auto/Manual
Electronic shutter	Auto/Manual
Gamma	Support
WDR	Support
Pan/Tilt Movement	
Preset	Remote controller: 10; Serial port: 128; Accuracy: 0.1°
Pan Rotation Angle	-170°~+170°
Tilt Rotation Angle	-30°~+90°
Pan Rotation Speed	0.1°~120°/s
Tilt Rotation Speed	0.1°~80°/s

General	
Input Voltage	5V 1000mA(via USB type C)/ DC: 12V 2A(via Power Adapter)
Power Consumption	DC: 12V 2A(Pmax=7W)
Operating Temperature	-10℃~50℃
Operating Humidity	≤80%
Color	Silver
Dimension (LxWxH)	148mmx132mmx162mm
Net Weight	0.9kg(2LBS)
Accessory	Power adapter, Power cable, 3m USB Type-C cable, manual, warranty card



Telecam Technology Co.,Ltd

Phone number: +86 755 33275155 E-mail: sales@telycam.com

Add: 6 Floor, Building A, Shuanghuan Information Technology Industrial Park, No.8, Baoqing Rd, Longgang District, Shenzhen, 518116, China

Please scan with browser.



10x | 1080p60 | Power via USB3.0 port

USB PTZ Camera for Middle and Small Meeting Room

To Make Collaboration Easy and Affordable

Meet+ 10-U3 is ideal used for video conferencing in the middle and small meeting room. It is equipped with 1/2.8" sensor and high quality 10x optical lens, to output crisp images with realistic color, even in low light or high contrast of brightness and darkness via 3.0 port. USB3.0 can output different resolutions, up to 1080p60.

It works with any of your favorite conferencing software, totally plug and play, and user-friendly.

Application



Key features

◆ 1080P60 FHD

Equipped with advanced image processing solution and cutting-edge video camera algorithms, a 1/2.8 inch sensor and high-quality lens, to output crystal clear image, max up to 1080p60 full high definition resolution.

◆ 10x optical zoom

Uses truly 10x optical zoom lens, with 62.5-degree wide angle FOV, fast and accurate focus performance to capture details in large and middle room.

◆ Plug and play

USB3.0 video output 1080p60 resolution, plug and play, work with any of your favorite video conferencing software.

◆ Power via USB3.0 port

Meet+ 10-U3 can power via a USB3.0 port directly, with no need for the power supply adaptor, which makes deployment even more simple, a single cable enables power, video, and control.

◆ Quiet and smooth PTZ movement

Thanks to the compact and sophisticated mechanism design, and accurate driven algorithms, Meet+ 10-U3 can move very smoothly without noise at variable pan/tilt/zoom speed.

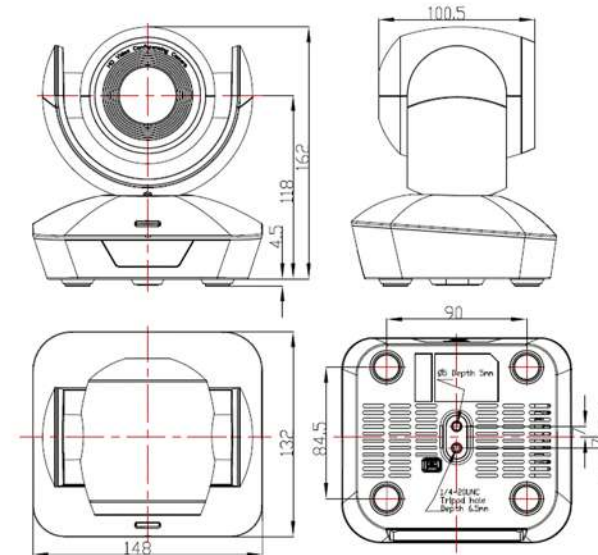
◆ Easy installation and control

Meet+ 10-U3 is truly plug and play with no need for installing any driver, just open any of your favorite video production software/live streaming platform to start a live streaming immediately. You can use the matched remote controller, or your video production/live streaming software or any VISCA device to control it.

Specification

Camera	Meet+ 10-U3
Part Number	TLC-1000-U3-10P
Sensor	1/2.8 inch high quality, 5 MP CMOS Sony sensor
Zoom	10x optical zoom, 12x digital zoom
Focal length	f=4.7(wide)~47mm(Tele), F1.6~F3.0
Horizontal View Angle	62.5°(wide)- 6.43°(Tele)
Vertical Viewing Angle	40.1°~ 4.1°
Diagonal Viewing Angle	69.7° ~ 7.56°
Minimum Working Distance	Wide: 0.5m; Tele: 1m
S/N Ratio	≥50dB
Video Resolution	USB3.0: YUY2: 1920*1080P60; 1280*720P60; 1024*576P60; 640*480P60; 640*360P60; USB2.0: YUY2: 1280*720P25; 1024*576P30/25; 640*480P50/30/25; 640*360P60/50/30/25
Image Parameters	
Noise Reduction	2D/3D
Minimum LUX	0.7lux (50 IRE Max AGC,1/30,F1.8)
White Balance	Auto/Manual/Indoor/Outdoor/Push/Sodium/Fluorescent
Focus	Auto / Manual
Iris	Auto / Manual
Electronic Shutter	Auto / Manual
BLC	Supported
Mechanism	
Pan Rotation Angle	-170° ~ +170°
Tilt Rotation Angle	-30° ~ +90°
Pan Rotation Speed	0°~120°/s
Tilt Rotation Speed	0°~80°/s
Preset	128 presets via RS232, 10 presets via remote controller
Control	RS232/RS485/USB/Remote Controller
Video Port:	USB3.0

General	
Input voltage	5V 1000mA(via USB3.0)/ DC: 12V 2A(via Power Adapter)
Power Consumption	DC: 12V 2A (Pmax=7W)
Operating Temperature	-10°C~ 50°C
Operating Humidity	≤80%
Color	Silver
Camera Dimension	148mm×132mm×162mm
Package Dimension	28x24x24cm
Package Content	Camera, Remote Controller, RS232 cable, USB3.0 cable, Power Supply



Telecam Technology Co.,Ltd

Phone number: +86 755 33275155 E-mail: sales@telycam.com

Add: 6 Floor, Building A, Shuanghuan Information Technology Industrial Park, No.8, Baoqing Rd, Longgang District, Shenzhen, 518116, China



12x/20x | 1080p60 | Power via USB3.0 port

USB PTZ Camera for Large or Middle Meeting Room

To Make Collaboration Easy and Affordable

Meet+ 12-U3/ Meet+ 20-U3 is ideal used for video conferencing in the middle and large meeting room. It is equipped with 1/2.8" sensor and high quality 12x/20x optical lens, to output crisp images with realistic color, even in low light or high contrast of brightness and darkness via 3.0 port. USB3.0 can output different resolutions, up to 1080p60.

It works with any of your favorite conferencing software, totally plug and play, and user-friendly.

Application



Key features

◆ 1080P60 FHD

Equipped with advanced image processing solution and cutting-edge video camera algorithms, a 1/2.8 inch sensor and high-quality lens, to output crystal clear image, max up to 1080p60 full high definition resolution.

◆ 12x/20x optical zoom

Uses truly 12x optical zoom lens with 72.5-degree wide angle FOV or 20x optical zoom lens with 60-degree wide angle FOV, fast and accurate focus performance to capture details in large and middle room.

◆ Plug and play

USB3.0 video output 1080p60 resolution, plug and play, work with any of your favorite video conferencing software.

◆ Power via USB3.0 port

Meet+ 12-U3/ Meet+ 20-U3 can power via a USB3.0 port directly, with no need for the power supply adaptor, which makes deployment even more simple, a single cable enables power, video, and control.

◆ Quiet and smooth PTZ movement

Thanks to the compact and sophisticated mechanism design, and accurate driven algorithms, Meet+ 12-U3/ Meet+ 20-U3 can move very smoothly without noise at variable pan/tilt/zoom speed.

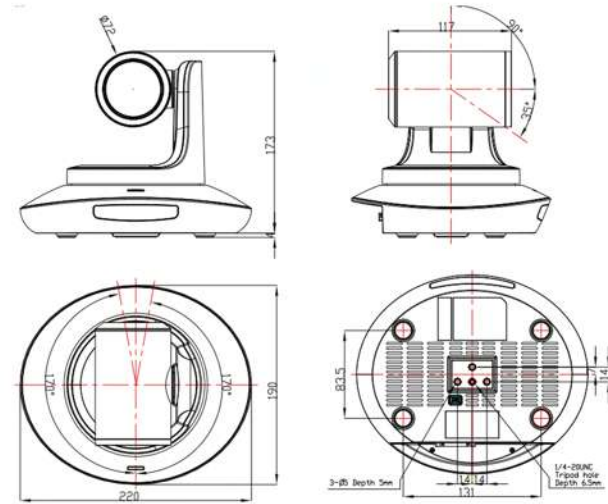
◆ Easy installation and control

Meet+ 12-U3/ Meet+ 20-U3 is truly plug and play with no need for installing any driver, just open any of your favorite video production software/live streaming platform to start a live streaming immediately. You can use the matched remote controller, or your video production/live streaming software or any VISCA device to control it.

Specification

Camera	Meet+ 12-U3	Meet+ 20-U3
Part Number	TLC-300-U3-12P	TLC-300-U3-20P
Sensor	1/2.8-inch high-quality 2.4MP HD CMOS sensor	
Zoom	12x optical zoom, 12x digital zoom	20x optical zoom, 12x digital zoom
Lens	f=3.92 ~ 46.8mm, F1.6 ~ F2.8	f = 4.9 ~ 98mm, F1.5 ~ F3.0
Horizontal View Angle	72.5° (wide)~ 6.48° (Tele)	60° (Wide) ~ 3.2° (Tele)
Vertical Viewing Angle	42.72°~3.66°	32.2°~ 1.8°
Diagonal Viewing Angle	78.58°~7.42°	61°~3.64°
Minimum Working Distance	Wide: 1.0m; Tele: 1.5m	Wide: 1m; Tele: 1.5m
S/N Ratio	≥50dB	
Video Resolution	USB3.0: YUY2: 1920*1080P60/50/30/25; 1280*720P60/50/30/25; 1024*576P60/50/30/25; 640*480P60/50/30/25; 640*360P60/50/30/25 USB2.0: YUY2: 1280*720P25; 1024*576P30/25; 640*480P50/30/25; 640*360P60/50/30/25	
Image Parameters		
Noise Reduction	2D/3D	
Minimum LUX	0.7lux (50 IRE Max AGC, 1/30, F1.8)	
White Balance	Auto/Manual/Indoor/Outdoor/Push/Sodium/Fluorescent	
Focus	Auto / Manual	
Iris	Auto / Manual	
Electronic Shutter	Auto / Manual	
BLC	Supported	
Mechanism		
Pan Rotation Angle	-170° ~ +170°	
Tilt Rotation Angle	-30° ~ +90°	
Pan Rotation Speed	0°~120°/s	
Tilt Rotation Speed	0°~80°/s	
Preset	128 presets via RS232, 10 presets via remote controller	
Control	RS232/RS485/USB/Remote Controller	
Video Port:	USB3.0	

General		
Input Voltage	5V 1000mA(via USB 3.0)/ DC: 12V 2A(via Power Adapter)	
Power Consumption	DC: 12V 2A (Pmax=8W)	DC: 12V 2A(Pmax=8W)
Operating Temperature	-10°C~ 50°C	
Operating Humidity	≤80%	
Color	Silver	
Camera Dimension	220mm×190mm×173mm	
Package Dimension	32x30x31cm	
Package Content	Camera, Remote Controller, RS232 cable, USB3.0 cable, Power Supply	



Telecam Technology Co.,Ltd

Phone number: +86 755 33275155 E-mail: sales@telycam.com

Add: 6 Floor, Building A, Shuanghuan Information Technology Industrial Park, No.8, Baoqing Rd, Longgang District, Shenzhen, 518116, China



12x/20x | 1080p60 | USB&HDMI | Power via USB-C

Full HD Video Conferencing Camera

Meet+ 12/20 is ideally used for video conferencing in small and medium-sized meeting rooms. It is equipped with Panasonic 1/2.8" sensor and high quality 12x/20x optical lens, to output crisp images with realistic color, even in low light or high contrast of brightness and darkness environment.

USB and HDMI can output different resolutions respectively at the same time, both can be up to 1080p60.

Power via USB-C port.

It works with any of your favorite conferencing software, totally plug and play, and user-friendly.

Application



Key features

◆ 1080p60 FHD output

Equipped with advanced image processing solution and cutting-edge video camera algorithms, a Panasonic 1/2.8 inch sensor and high-quality lens, to output crystal clear image, max up to 1080p60 full high definition resolution.

◆ 12x/20x optical zoom

Featured with a high-quality 12x/20x optical zoom lens, which is able to capture the participants at a distance of 10 meters, allowing the participants to occupy 1/3 of the screen in the display very clear and lively.

◆ USB and HDMI output

With USB-C and HDMI video ports, which can output the same or different resolutions respectively at the same time.

◆ Power via USB-C

Meet+ 12/20 can power via a USB-C port directly, with no need for the power supply adaptor, which makes deployment even more simple, a single cable enables power, video, and control.

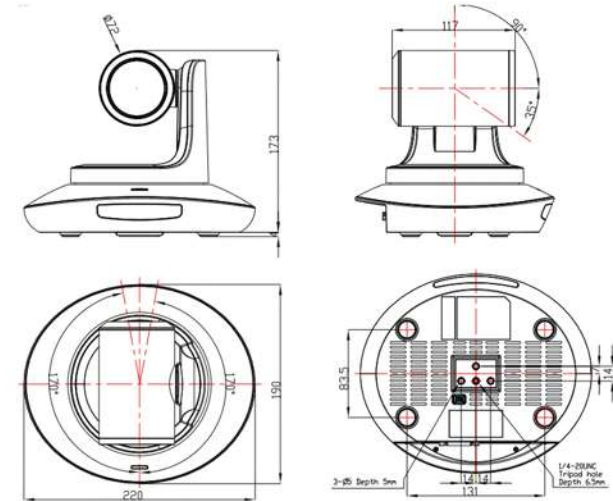
◆ Smooth and silent PTZ movement

Thanks to the compact and sophisticated mechanism design, and accurate driven algorithms, Meet+ 12/20 can move very smoothly without noise at variable pan/tilt/zoom speed.

Specification

Camera	Meet+ 12	Meet+ 20
Part Number	TLC-300-HU2-12	TLC-300-HU2-20
Sensor	1/2.8 inch, 2.4 MP CMOS Panasonic sensor	
Zoom	12x optical zoom + 12x digital zoom	20x optical zoom + 12x digital zoom
Lens	f= 3.92~47.32mm , F1.8~ 2.8	f= 4.9~98mm,F1.5~F3.0
Horizontal View Angle	72.5°(wide)-6.3°(Tele)	60°(Wide)~ 3.2°(Tele)
Vertical Viewing Angle	42.72°~3.66°	32.2°~ 1.8°
Diagonal Viewing Angle	78.58°~7.42°	61°~3.64°
Minimum Working Distance	Wide: 1m; Tele: 1.5m	Wide: 1m; Tele: 1.5m
S/N Ratio	≥50dB	
Video Format	HDMI: 1920*1080P60/59.94/50/30/29.97/25/24; 1920*1080i60/59.94/50; 1280*720P60/59.94/50/30/29.97/25 USB 2.0 Type-C: MJPG:1920*1080P60; 1280*960P60; 1280*720P60; 1024*768P60; 800*600P60; 640*480P30; 320*240P60; YUY2:640*480P30; 320*240P30	
Image Parameters		
Noise Reduction	2D&3D	
Minimum lux	0.7Lux (50 IRE Max AGC,1/30, F1.8)	
White Balance	Auto / Manual / Indoor / Outdoor / C.T. / PUSH	
Exposure	Auto/Manual/Shutter Priority/Iris Priority/Brightness Priority	
Anti-Flicker	OFF, 50Hz, 60Hz	
Image Flip	Support	
Mirroring	Support	
Focus	Auto/Manual	
Iris	Auto/Manual	
Electronic shutter	Auto/Manual	
Gamma	Support	
WDR	Support	
Pan/Tilt Movement		
Preset	Remote controller: 10; Serial port: 128; Accuracy: 0.1°	
Pan Rotation Angle	-170°~+170°	
Tilt Rotation Angle	-30°~+90°	
Pan Rotation Speed	0.1°~120°/s	
Tilt Rotation Speed	0.1°~80°/s	

General		
Input Voltage	5V 1000mA(via USB type C)/ DC: 12V 2A(via Power Adapter)	
Power Consumption	DC: 12V 2A(Pmax=8W)	DC: 12V 2A(Pmax=8W)
Operating Temperature	-10℃~50℃	
Operating Humidity	≤80%	
Color	Silver	
Dimension (LxWxH)	220mmx190mmx173mm	
Net Weight	1.25kg(2.8LBS)	
Accessory	Power adapter, Power cable, 3m USB Type-C cable, manual, warranty card	



Please scan with browser.

Telecam Technology Co.,Ltd

Phone number: +86 755 33275155 E-mail: sales@telycam.com

Add: 6 Floor, Building A, Shuanghuan Information Technology Industrial Park, No.8, Baoqing Rd, Longgang District, Shenzhen, 518116, China



TELYCAM FIRST GENERATION SPEAKERPHONE



SONO is designed for remote conference audio call scenarios, the SONO can cover personal, small, and medium-sized conference room spaces.

The SONO innovatively adopts a 1.75-inch high-performance music speaker for low frequencies, pursuing a pickup effect while also considering casual music playback.

The SONO built-in Telycam AI noise reduction algorithm, can effectively filter out keyboard, knock, air conditioning, and other environmental noise, but also can turn off AI noise reduction, and restore the most realistic scene sound. It also integrates traditional 3A (AGC, AEC, ANC) algorithms and combines engineering tuning with real-world scenarios.



Key features

Smart sound EQ

◆ Music mode intelligent switching

Telycam SONO can intelligently switch music mode according to the currently used scene, making the music effect more shocking and the voice effect clearer

◆ Long-lasting battery for worry-free travel without frequent charging

Built-in 4400mAh large capacity battery can easily meet the needs of 1 full day of meetings, standard Type-C interface, can be flexibly found charging cables and adapter plugs

Gold Ear Pickup Technology

◆ AI noise reduction algorithm implantation

Telycam SONO 's AI noise reduction can effectively filter out non-voice noise such as keyboards, chairs, and knocks, making the call feel like a face-to-face.

◆ DOA automatic speech direction recognition

Telycam SONO has 8 high-quality microphones, which can effectively identify sounds in all directions, and with the DOA algorithm, it can accurately determine the direction of the current speaker and dynamically adjust the pickup direction.

Specification

Microphone	
Frequency response	90Hz – 16kHz
Sensitivity	>-26dBFS +/-1dB @ 1Pa
Number of MIC	8pcs mic array
Pickup range	6 meters radius
Audio function	AEC, AGC, ANC
Noise algorithm	Telycam AI Noise algorithm
Speaker	
Frequency response (Music)	150Hz - 18kHz
Frequency response (Talk)	200Hz- 18kHz
Spec	1.75inch
Power	5W
System compatibility	
Windows	Win7/8.1/10/11
Mac OS	10.10 and above
Android	7.11 and above Chrome OS
Application compatibility	
Microsoft Teams, Zoom, GoToMeeting, Tencent meeting, WeChat, DingTalk USB UAC standard protocol, compatible with almost any cloud-based video application	
Connect	
Wire	USB2.0, UAC1.0
Wireless	Bluetooth V5.3
Bluetooth operating frequency	2.402~2.480GHz
Bluetooth output power	0.25mW (-6dBm) ~ 2.5mW (4dBm), Normally at 1mW(0dBm)
Battery	
Battery type	Li-ion
Battery capacity	3.7V/4400mAh
Use time	13 hours (Voice) 8 hours (Music)
Standby time	More than 1 year
General	
Operating Temperature	0~40℃
Storage temperature	-20~60℃
Humidity requirements	10%~90%RH Altitude: below 5000 m
Size of product	126×126×34mm
Size of package	156×156×64mm
Net Weight	400g
Gross weight	620g
Packaging accessories	USB data cable



Telecam Technology Co.,Ltd

Phone number: +86 755 33275155 E-mail: sales@telycam.com

Add: 6 Floor, Building A, Shuanghuan Information Technology Industrial Park, No.8, Baoqing Rd, Longgang District, Shenzhen, 518116, China