



## **Telycam** Telecam Technology Co.,Ltd

Add.: 6F, Building A, Shuanghuan Information Technology Industrial Park, No.8, Baoqing Rd, Longgang District, Shenzhen, 518116, China

TEL: +86-755-33275155

[Http://www.telycam.com](http://www.telycam.com)

# TLC-300-U2-10-IR USB2.0 HD IR Camera



## Advantages:

- Ultra-crystal video: with advanced DSP, 1/2.8 inch SONY sensor and high quality 10xlens;
- Built-in with IR illuminator lights, to support night vision, ideal for telehealth application;
- Fast and accurate focus performance;
- Easy firmware upgrade-(field-upgradable):no need to open the camera housing;
- Compatible with the majority of video software(UVC1.5 protocol standard);
- Powerful functional remote controller;
- Multi language OSD menu: supports English, Chinese ;
- 2 years warranty;
- Full Color enclosure options: Silver, Black, Grey, White.

## Features

- USB2.0 high speed output;
- Zoom: 10X Optical Zoom & 12X Digital Zoom;
- 1920x1080p 30fps high resolution;
- 62.5 Degree field of view;
- Ultra-smooth PTZ mechanism;
- Accurate PT motor control;
- Up to 128 presets;
- Effective RS232/485 serial control;
- WDR, 3D-noise reduction function;
- Image flip function support upside-down installation;
- Mounts: Wall mount/ in-ceiling/monitor mount available;
- Sony Visca and Pelco P/D protocol controls;



## Telycam Telecam Technology Co.,Ltd

Add.: 6F, Building A, Shuanghuan Information Technology Industrial Park, No.8, Baoqing Rd, Longgang District, Shenzhen, 518116, China

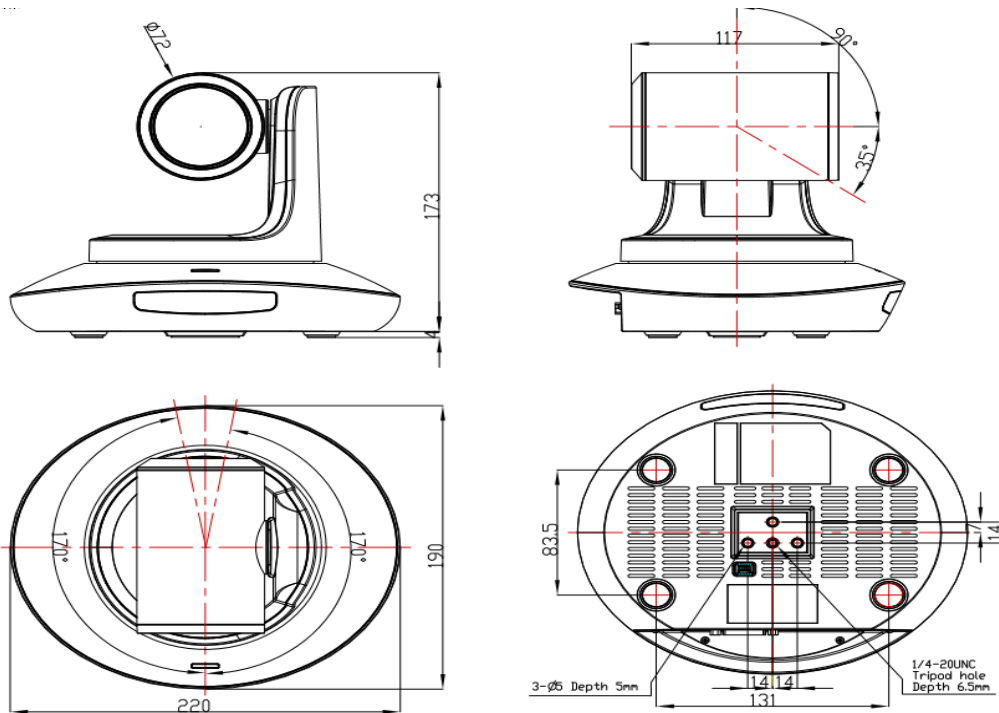
TEL: +86-755-33275155

[Http://www.telycam.com](http://www.telycam.com)

## Input/Output Interface



## Dimensional Drawing ( mm )





## Telycam Telecam Technology Co.,Ltd

Add.: 6F, Building A, Shuanghuan Information Technology Industrial Park, No.8, Baoqing Rd, Longgang District, Shenzhen, 518116, China

TEL: +86-755-33275155

[Http://www.telycam.com](http://www.telycam.com)

### Technical specification

Model	TLC-300-U2-10-IR
Sensor	1/2.8 inch high quality 5MP SONY CMOS sensor,
Video System	1080P 30fps(MJPG),backward compatible; 640x480 30fps(YUY2)
Zoom	10x optical zoom & 12Xdigital zoom
View Angle	6.43° (wide) ~62.5° (tele)
Pan Rotation Angle	-170° ~ +170°
Tilt Rotation Angle	-30° ~ +90°
Pan rotation speed	0°~120°/s
Titl rotation speed	0°~80°/s
Preset	128
Control port	RS232 / RS485/ USB2.0
Video port	USB2.0
SNR	>50dB
Focal length	f=4.7(wide)~47mm(tele)
<b>Infrared wavelength</b>	<b>850nm</b>
<b>Infrared distance</b>	<b>Up to 10meters</b>
White Balance	Auto / Manual
Focus	Auto / Manual
Iris	Auto / Manual
Electronic Shutter	Auto / Manual
BLC	Auto / Manual
Input voltage	DC12V
Dimension (W x H x W)	220mmx173mmx117mm
Net Weight	1.25KG (2.8LBS)

### Order Model No.

Model No.	Max.Resolution	Optical Zoom	Video Output	Color
TLC-300-U2-10-IR	1080P30(MJPG)	10X	USB2.0	Silver
TLC-300-U2-10-IR-B	1080P30(MJPG)	10X	USB2.0	Black
TLC-300-U2-10-IR-G	1080P30(MJPG)	10X	USB2.0	Grey
TLC-300-U2-10-IR-W	1080P30(MJPG)	10X	USB2.0	White